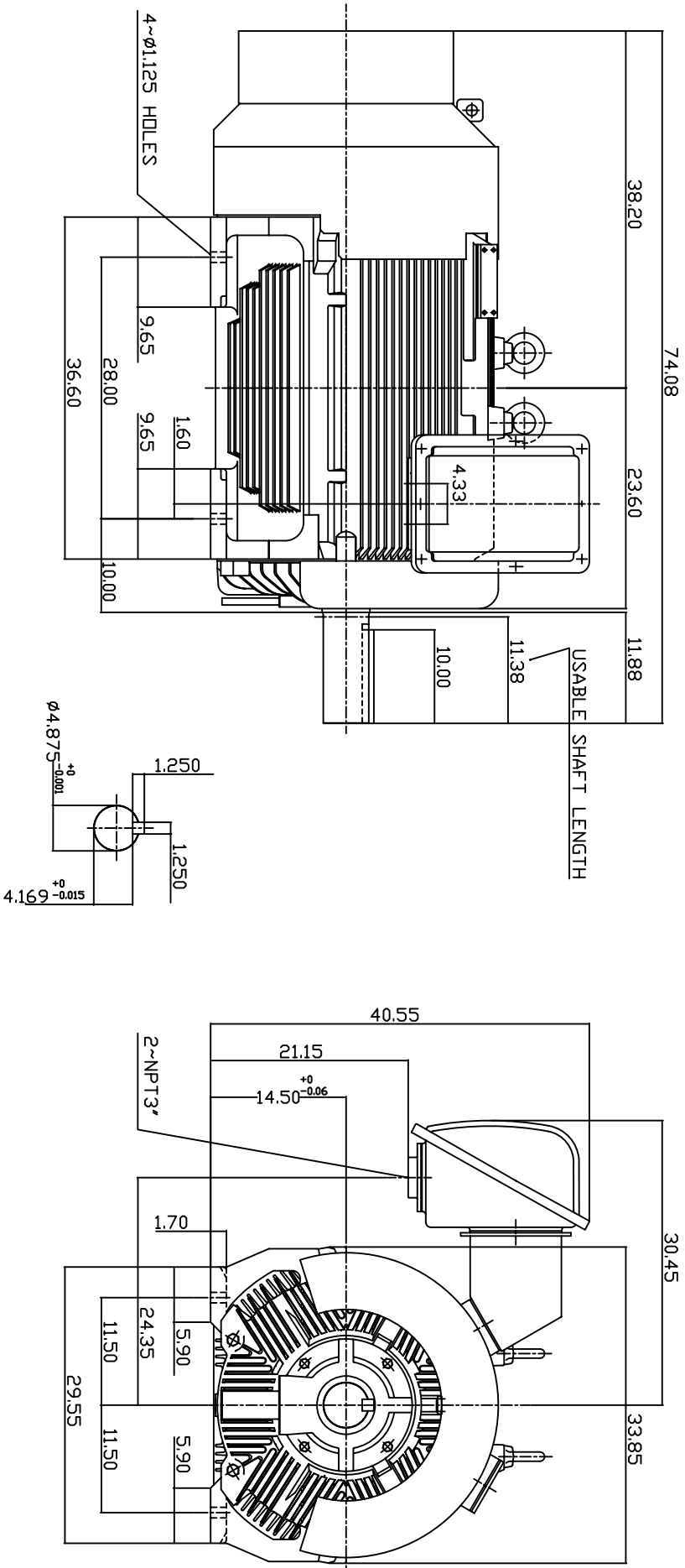


TYPE	OUTPUT		POLE	TIME RATING	VOLTAGE	Hz	SYN SPEED R.P.M
	HP.	KW.					
AEH8B	450.	336	6	CONT.	380	50	1000

TOTALLY ENCLOSED FAN-COOLED TYPE, SQUIRREL-CAGE ROTOR



NOTE:

1. DIMENSIONS IN INCH.
2. FRAME NO. 5808B
3. F CLASS INSULATION, S.F.1.0
4. FDR DIRECT DRIVE APPLICATIONS
5. BEARING SIZE: DRIVE END: 6326 NON-DRIVE END: 6322
6. MOTOR APPROX. WEIGHT: 5250 LBS
7. ENCLOSURE: IP55
8. IMPRO SEAL ON BOTH ENDS.
9. NON-SPARKING FAN.
10. NOISE BELOW 83 DBA AT 1 METER AT NO LOAD.
11. VIBRATION VERTICAL/HORIZONTAL BELOW 0.08 IN/SEC AXIAL BELOW 0.06 IN/SEC.

DATE	OUTLINE DIMENSIONS
DCT 22, 2007	3-PHASE INDUCTION MOTOR
CATALOG NO. HB4506-50	
DWG NO. 3A040T184-2	REV: 00
TECO Westinghouse	DWG NO. 3A040T184-2
DWN. W.LLIN MAR-04-2003	
CHKD. W.LLIN MAR-04-2003	
APPD. C.WANG MAR-04-2003	