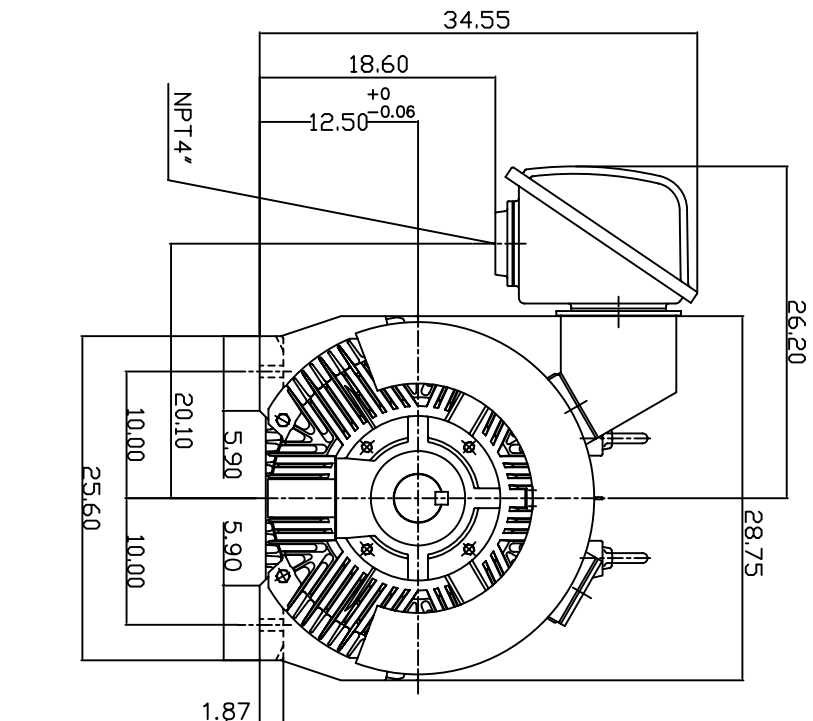
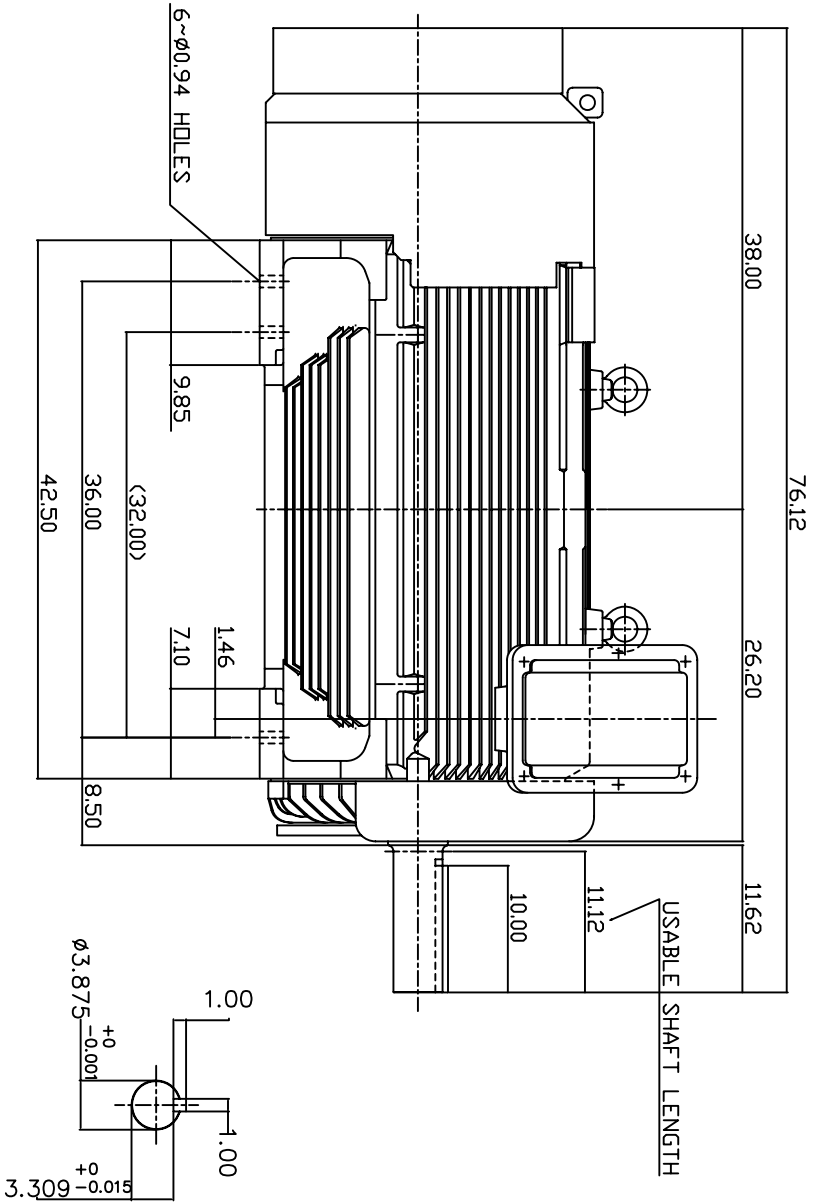


TYPE	OUTPUT		POLE	TIME RATING	VOLTAGE	Hz	SYNSPEED R.P.M
	HP.	KW.					
AEH8B	450	336	4	CDNT.	380	50	1500

TOTALLY ENCLOSED FAN-COOLED TYPE, SQUIRREL-CAGE ROTOR



NOTE:

1. DIMENSIONS IN INCH.
2. FRAME NO. 501B (5010B)
3. F CLASS INSULATION S.F.10
4. FOR DIRECT FLEXIBLE COUPLING
5. BEARING SIZE: DRIVE END: 6324
NON-DRIVE END: 6320
6. MOTOR APPROX. WEIGHT: 4800 LBS
7. ENCLOSURE: IP55
8. INPRD SEAL ON BOTH ENDS.
9. NON-SPARKING FAN.
10. NOISE BELOW 83 DBA AT 1 METER AT NO LOAD.
11. VIBRATION VERTICAL/HORIZONTAL BELOW 0.08 IN/SEC AXIAL BELOW 0.06 IN/SEC.

TV-56C

DWN.	W.L.LIN	DATE
CHKD.	W.L.LIN	MAR-03-2003
APPD.	C.WANG	MAR-03-2003

DATE	OUTLINE DIMENSIONS
DCT 22, 2007	3-PHASE INDUCTION MOTOR
CATALOG NO.	DWG NO.
HB4504-50	3A040T177-1



REV: 00