

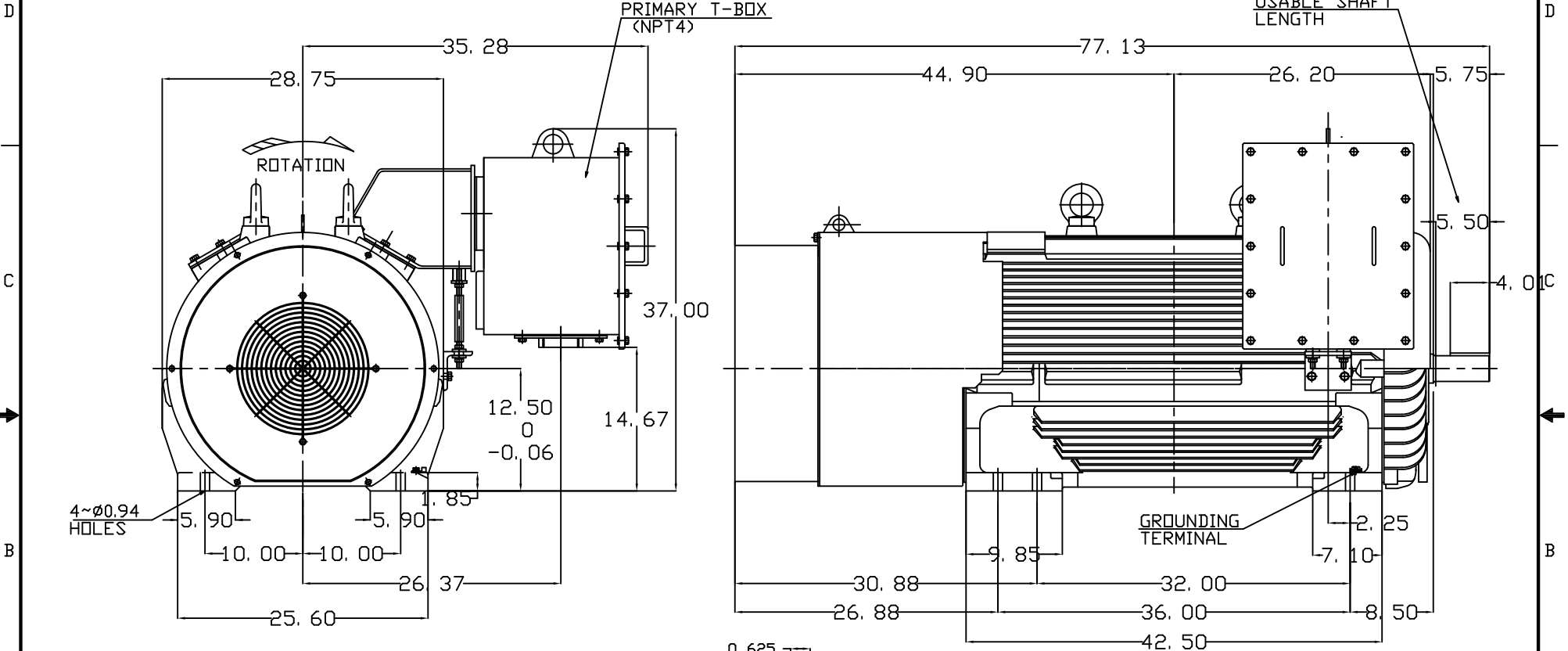
6 | 5 | 4 | 3 | 2 | 1

| TYPE | OUTPUT | | POLE | TIME RATING | VOLTAGE V | Hz | SYN.SPEED R.P.M |
|---------|--------|-----|------|-------------|-----------|----|-----------------|
| | HP. | kW. | | | | | |
| AEHH-8B | 450 | 336 | 2 | CONT. | 460 | 60 | 3600 |

TOTALLY ENCLOSED FAN-COOLED TYPE, SQUIRREL-CAGE ROTOR

PRIMARY T-BOX (NPT4)

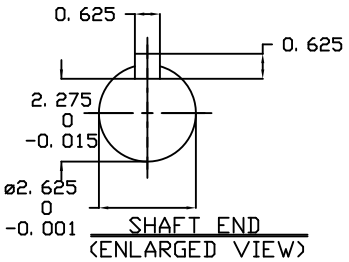
USABLE SHAFT LENGTH



4~Ø0.94 HOLES

ROTATION

GROUNDING TERMINAL



NOTE:

1. DIMENSIONS IN INCH
2. FRAME NO. 5011A(5010A)
3. F CLASS INSULATION, S.F.1.15
4. FOR DIRECT FLEXIBLE COUPLING
5. ENCLOSURE: IP55
6. BEARING SIZE: DRIVE-END 6315C3
OPP. DRIVE-END 6315C3
7. BOTH ENDS BEARING ARE INPRO SEAL
8. NON-SPARKING FAN
9. MOTOR APPROX. WEIGHT: 4200 lb

SHAFT END (ENLARGED VIEW)

| | | | |
|-------|-----------|-------------------------|------------------|
| DATE | 3-25-2015 | OUTLINE DIMENSIONS | |
| | HB4502 | 3-PHASE INDUCTION MOTOR | |
| DWN. | J.WU | APR-14-2014 | TEC Westinghouse |
| CHKD. | W.CHENG | APR-28-2014 | |
| APPD. | C.SHIH | APR-28-2014 | |
| | | | DWG NO. REV:00 |
| | | | 4B040C145 |

6 | 5 | 4 | 3 | 2 | 1