

DATE  
January 20, 2009  
CAT. #:

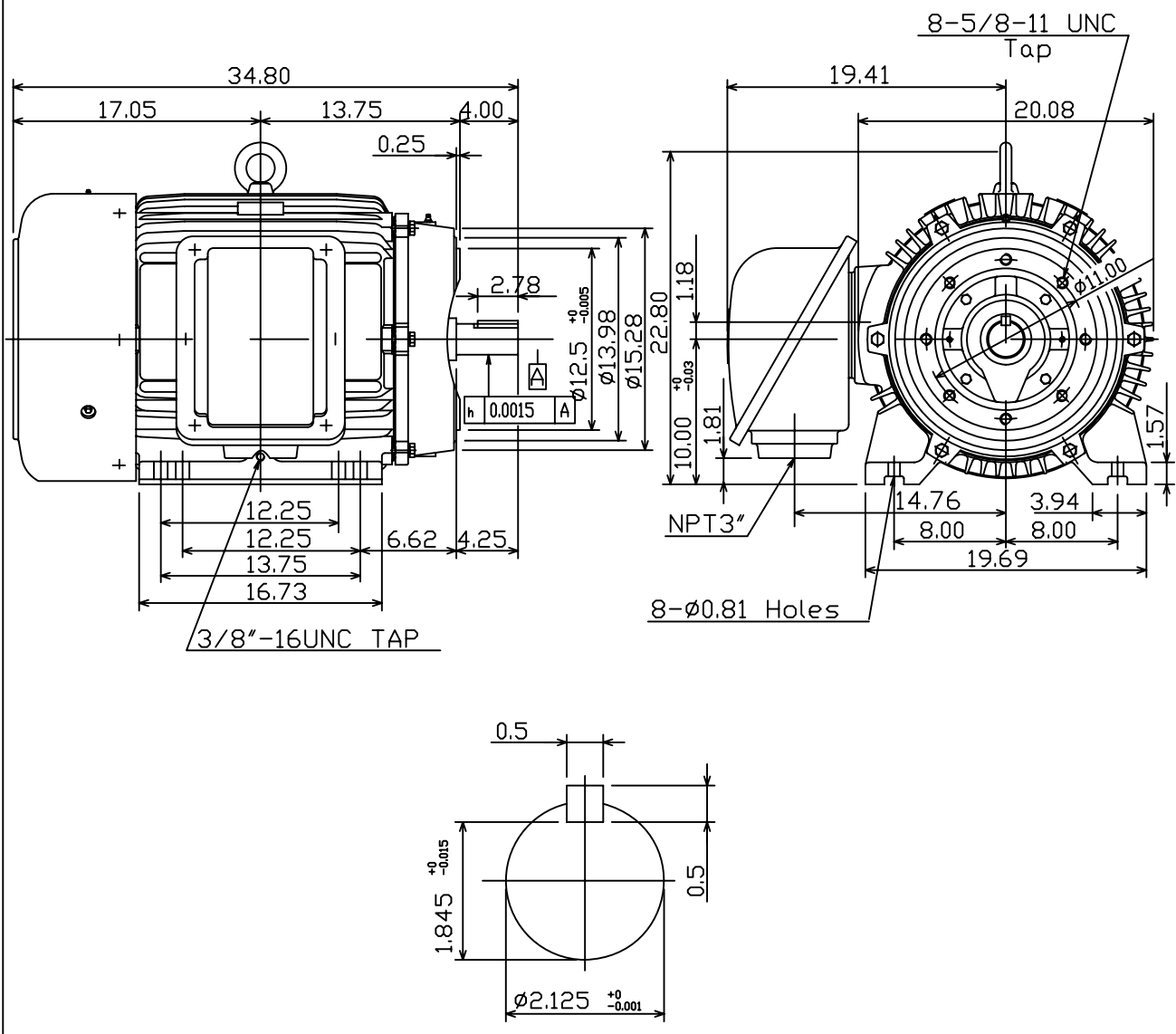
OUTLINE DIMENSIONS  
3-PHASE INDUCTION MOTOR

MOTOR TYPE:  
AEHH8B-CF  
FRAME NO. 405TSC

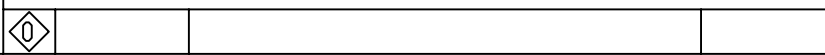
Pole	HP	kW	Hz	VOLT	Syn.Speed r/min(rpm)
2					

Ins	Rating	Dimension in	Approx Weight	Bearings	
F	CONT.	inches	1183 LBS	DE: 6313C3	NDE: 6313ZC3

Totally Enclosed Fan-Cooled Type. Squirrel-cage Rotor.



- Note:
1. Motor Vibration:10?
  2. Inpro/Seal in Both End Brackets



DWN.	K.L.KUD	01-19-05
CHKD.	C.H.KAD	02-01-05
APPD.	M.C.TSAI	02-01-05



DWG NO.  
31049M634650