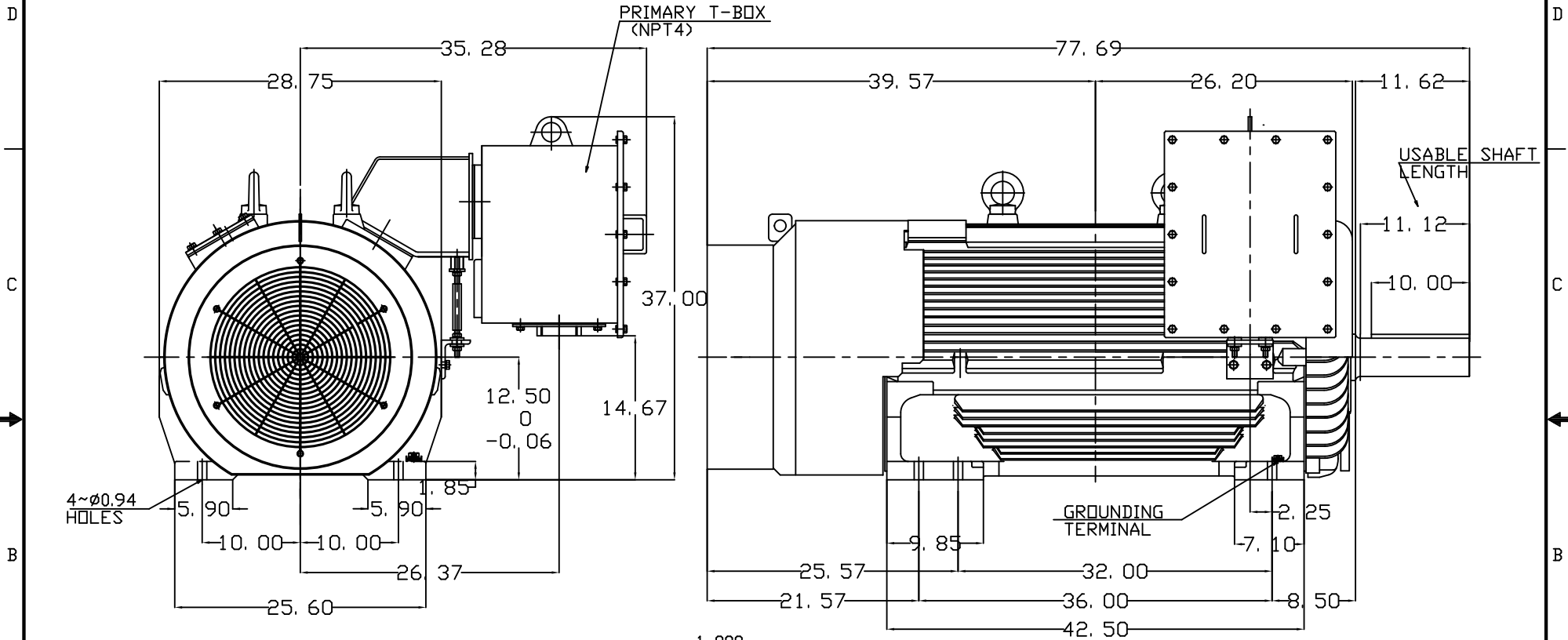


6 5 4 3 2 1

| TYPE | OUTPUT | | POLE | TIME RATING | VOLTAGE V | Hz | SYN.SPEED R.P.M |
|---------|--------|-----|------|-------------|-----------|----|-----------------|
| | HP. | kW. | | | | | |
| AEHH-8B | 400 | 298 | 6 | CONT. | 460 | 60 | 1200 |

TOTALLY ENCLOSED FAN-COOLED TYPE, SQUIRREL-CAGE ROTOR

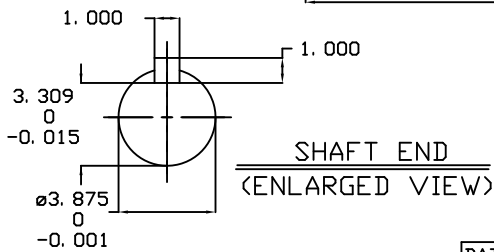
PRIMARY T-BOX
(NPT4)



4~Ø0.94 HOLES

USABLE SHAFT LENGTH

GROUNDING TERMINAL



NOTE:

1. DIMENSIONS IN inch
2. FRAME NO. 5011B(5010B)
3. F CLASS INSULATION, S.F.1.15
4. FOR DIRECT FLEXIBLE COUPLING
5. ENCLOSURE: IP55
6. BEARING SIZE: DRIVE-END 6324C3
OPP. DRIVE-END 6320C3
7. BOTH ENDS BEARING ARE INPRO SEAL
8. NON-SPARKING FAN
9. MOTOR APPROX. WEIGHT: 4900 lb

| | |
|------|-----------|
| DATE | 3-25-2015 |
| | HB4006 |

OUTLINE DIMENSIONS
3-PHASE INDUCTION MOTOR

| | | |
|-------|---------|-------------|
| DWN. | J.WU | APR-14-2014 |
| CHKD. | W.CHENG | APR-28-2014 |
| APPD. | C.SHIH | APR-28-2014 |



DWG NO. REV:00
4B040C149

6 5 4 3 2 1