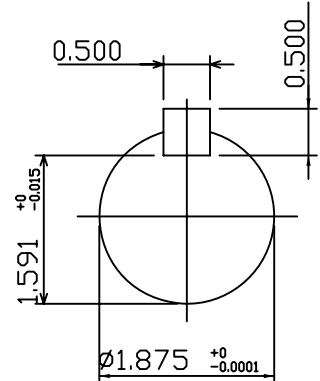
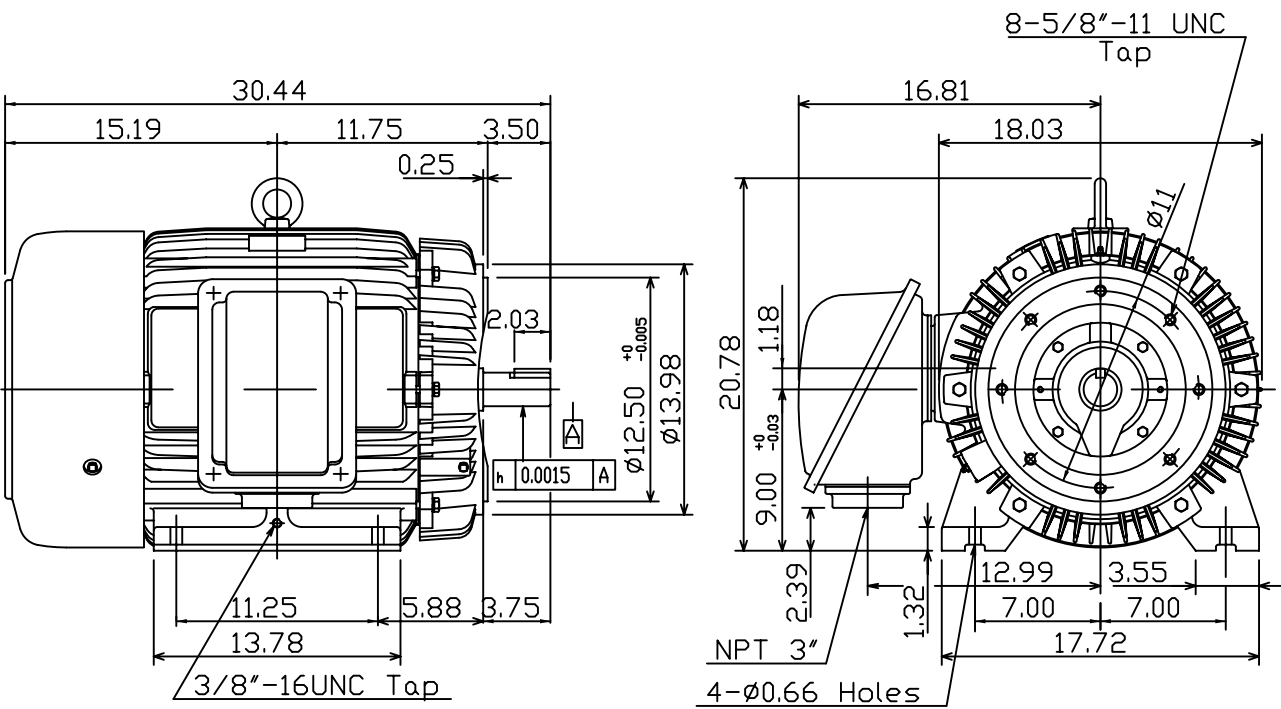


DATE January 20, 2009	OUTLINE DIMENSIONS 3-PHASE INDUCTION MOTOR	MOTOR TYPE: AEHH8B-CF
CAT. #:		FRAME NO. 364TSC

Pole	HP	kW	Hz	VOLT	Syn.Speed r/min(rpm)
2					

Ins	Rating	Dimension in	Approx Weight	Bearings	
F	CONT.	inches	839 LBS	DE: 6312ZC3	NDE: 6212ZC3

Totally Enclosed Fan Cooled Type. Squirrel-cage Rotor.



- Note:
1. Motor Vibration:10?
 2. Inpro/Seal in Both End Brackets

0		
---	--	--

DWN. K.L.KUD 01-19-05	TEC  Westinghouse 	DWG NO.
CHKD. C.H.KAD 02-01-05		31049M631390
APPD. M.C.TSAI 02-01-05		