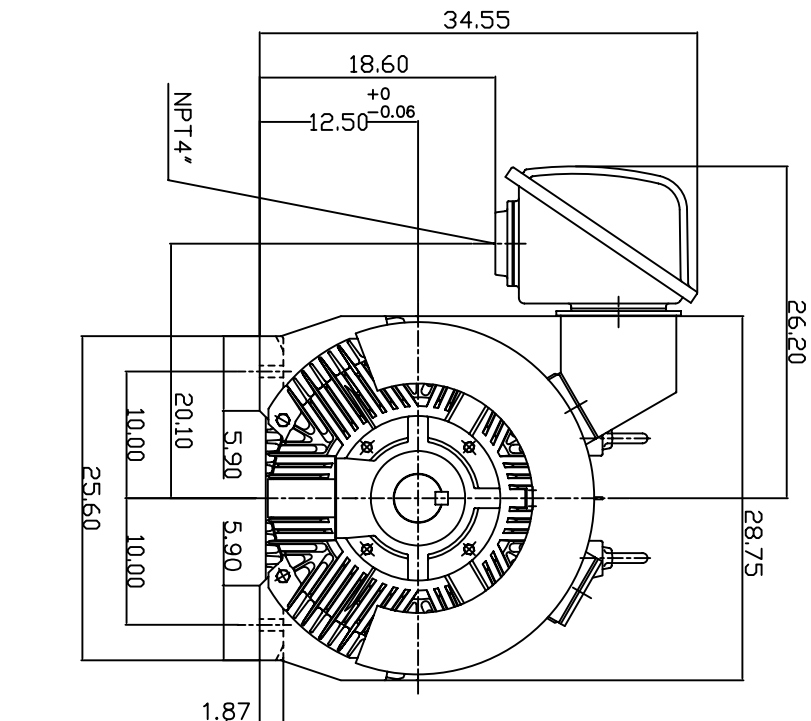
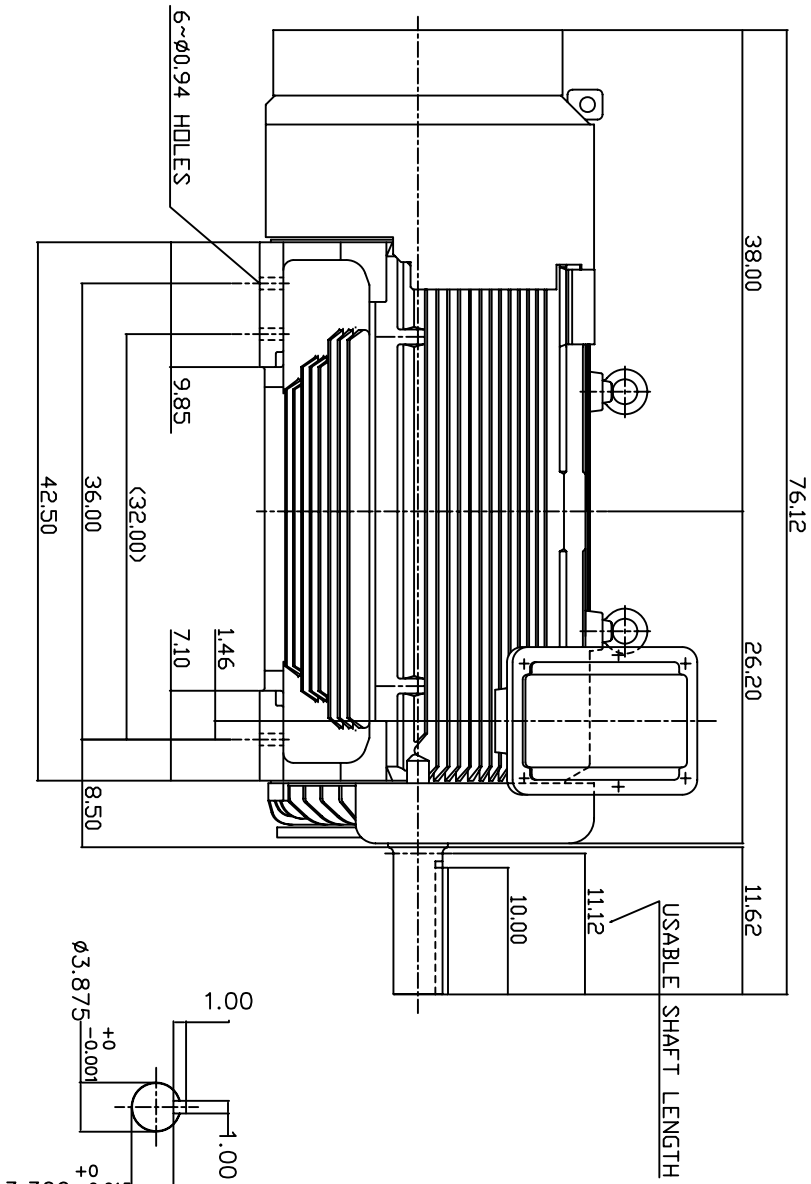


TYPE	OUTPUT		POLE	TIME RATING	VOLTAGE	Hz	SYNSPEED R.P.M
	HP.	KW.					
AEH8B	350	261	6	CDNT.	380	50	1000

TOTALLY ENCLOSED FAN-COOLED TYPE, SQUIRREL-CAGE ROTOR



NOTE: 1. DIMENSIONS IN INCH.

2. FRAME NO. 5011B (5010B)
3. F. CLASS INSULATION: S.F.10
4. FOR DIRECT DRIVE APPLICATION
5. BEARING SIZE: DRIVE END: 6324
NON-DRIVE END: 6320
6. MOTOR APPROX. WEIGHT: 4200 LBS
7. ENCLASURE: IP55
8. INPRD SEAL ON BOTH ENDS.
9. NON-SPARKING FAN.
10. NOISE BELOW 83 DBA AT 1 METER AT NO LOAD.
11. VIBRATION VERTICAL/HORIZONTAL BELOW 0.08 IN/SEC AXIAL BELOW 0.06 IN/SEC.

TV-56C

DWN.	W.L.LIN	DATE
CHKD.	W.L.LIN	MAR-03-2003
APPD.	C.WANG	MAR-03-2003

DATE	OUTLINE DIMENSIONS
Oct. 22, 2007	3-PHASE INDUCTION MOTOR
CATALOG NO. HB3506-50	



DWG NO. 3A040T180-1
REV: 00