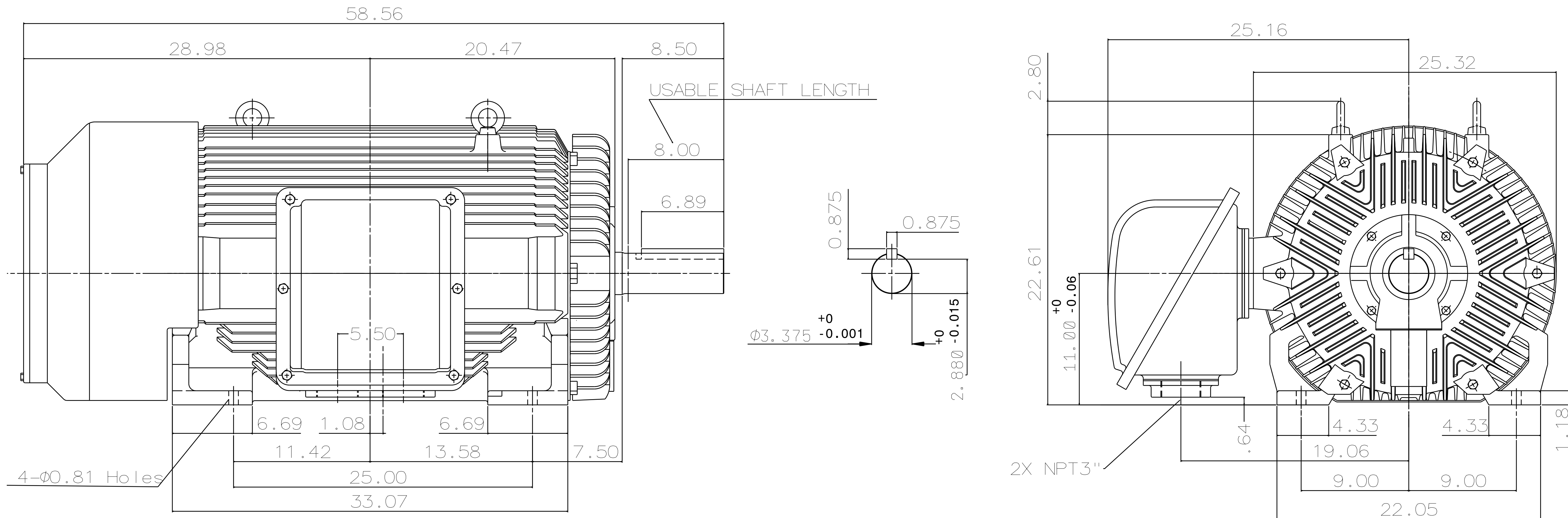


TYPE	OUTPUT		POLE	TIME RATING	VOLTAGE V	Hz	SYN. SPEED R.P.M
	HP	KW					
AEHH8B	350	261	4	CONT.	460	60	1800

TOTALLY ENCLOSED FAN-COOLED TYPE. SQUIRREL-CAGE ROTOR



NOTE :

1. DIMENSIONS IN INCH.
2. FRAME NO. 449T
3. F CLASS INSULATION, S.F.1.15
4. FOR DIRECT FLEXIBLE COUPLING.
5. BEARING SIZE: DRIVE END: 6320
NON-DRIVE END: 6316
6. MOTOR APPROX. WEIGHT: 3350 LBS
7. ENCLOSURE: IP55
8. INPRO SEAL ON BOTH ENDS.
9. NON-SPARKING FAN.
10. NOISE BELOW 83 DBA AT 1 METER AT NO LOAD.
11. VIBRATION VERTICAL/HORIZONTAL BELOW 0.08 IN/SEC
AXIAL BELOW 0.06 IN/SEC.

TW-56BC

DATE	12-12-17	OUTLINE DIMENSIONS
CATALOG NO.	HB3504	
TECO Westinghouse		3-PHASE INDUCTION MOTOR
DWG NO.	3A040W799	REV: 02

DWN.	W.CHENG	MAY.10.2004
CHKD.	H.HUANG	MAY.10.2004
APPD.	C.WANG	MAY.10.2004