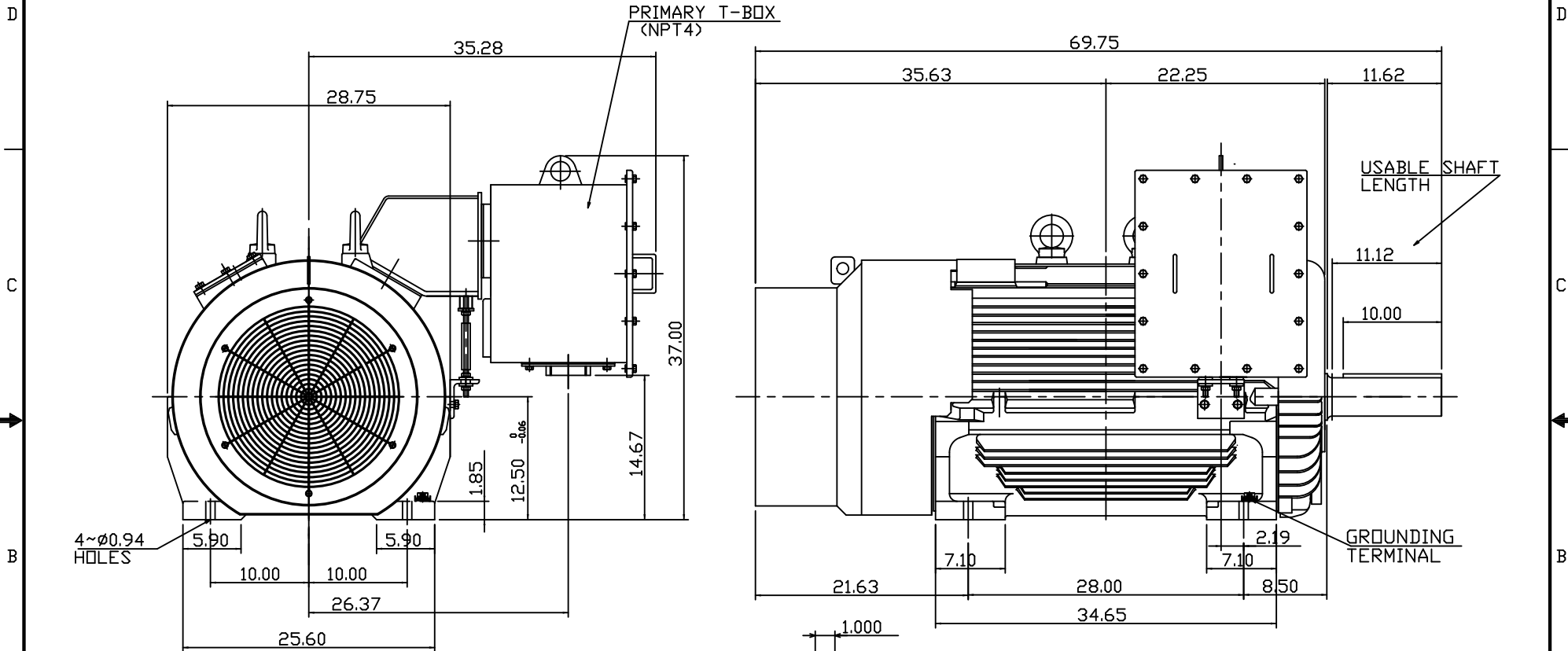


TYPE	OUTPUT		POLE	TIME RATING	VOLTAGE V	Hz	SYN.SPEED R.P.M
	HP.	kW.					
AEHH-8B	300	224	8	CONT.	460	60	900

TOTALLY ENCLOSED FAN-COOLED TYPE, SQUIRREL-CAGE ROTOR

PRIMARY T-BOX  
(NPT4)



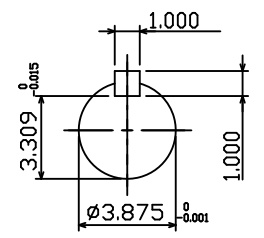
4~Ø0.94 HOLES

USABLE SHAFT LENGTH

GROUNDING TERMINAL

NOTE:

1. DIMENSIONS IN INCH
2. FRAME NO. 5009B
3. F CLASS INSULATION, S.F.1.15
4. FOR DIRECT FLEXIBLE COUPLING
5. ENCLOSURE: IP55
6. BEARING SIZE: DRIVE-END 6324C3  
OPP. DRIVE-END 6320C3
7. BOTH ENDS BEARING ARE INPRO SEAL
8. NON-SPARKING FAN
9. MOTOR APPROX. WEIGHT: 3500 lb



SHAFT END  
(ENLARGED VIEW)

DATE 3-25-2015		OUTLINE DIMENSIONS	
HB3008		3-PHASE INDUCTION MOTOR	
DWN. J.WU APR-14-2014	TEC Westinghouse	DWG NO. 4B040C140	REV:00
CHKD. W.CHENG APR-28-2014			
APPD. C.SHIH APR-28-2014			