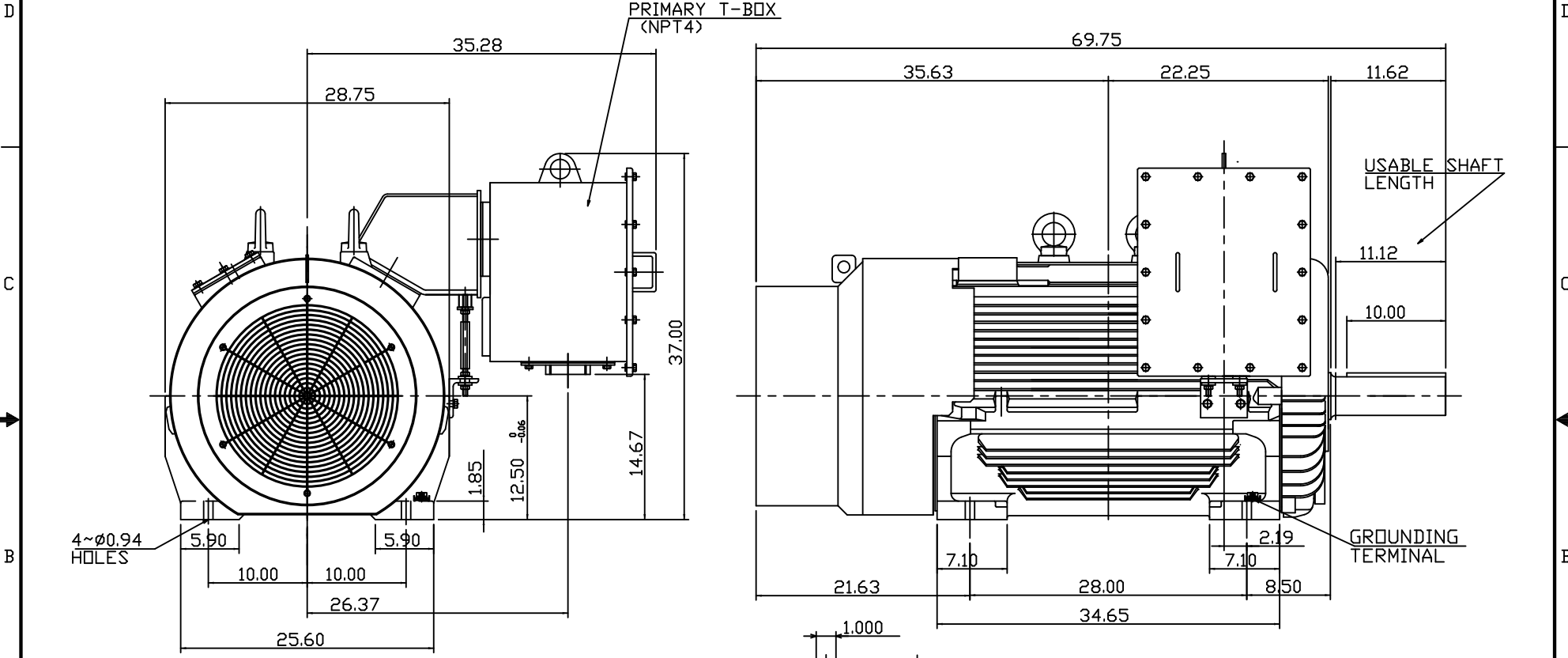


6 | 5 | 4 | 3 | 2 | 1

| TYPE | OUTPUT | | POLE | TIME RATING | VOLTAGE V | Hz | SYN.SPEED R.P.M |
|---------|--------|-------|------|-------------|-----------|----|-----------------|
| | HP. | kW. | | | | | |
| AEHH-8B | 250 | 186.5 | 8 | CONT. | 460 | 60 | 900 |

TOTALLY ENCLOSED FAN-COOLED TYPE, SQUIRREL-CAGE ROTOR

PRIMARY T-BOX (NPT4)



NOTE:

1. DIMENSIONS IN inch
2. FRAME NO. 5009B
3. F CLASS INSULATION, S.F.1.15
4. FOR DIRECT FLEXIBLE COUPLING
5. ENCLOSURE: IP55
6. BEARING SIZE: DRIVE-END 6324C3
OPP. DRIVE-END 6320C3
7. BOTH ENDS BEARING ARE INPRO SEAL
8. NON-SPARKING FAN
9. MOTOR APPROX. WEIGHT: 3500 lb

SHAFT END (ENLARGED VIEW)

| | | |
|-------|---------|-------------|
| DWN. | J.WU | APR-14-2014 |
| CHKD. | W.CHENG | APR-28-2014 |
| APPD. | C.SHIH | APR-28-2014 |

| | | | |
|------------------|-------------|-------------------------|--------|
| DATE | MAR 25 2015 | OUTLINE DIMENSIONS | |
| | | 3-PHASE INDUCTION MOTOR | |
| TEC Westinghouse | | DWG NO. | REV:00 |
| | | 4B040C140 | |

6 | 5 | 4 | 3 | 2 | 1