

DATE  
January 20, 2009

# OUTLINE DIMENSIONS

MOTOR TYPE:  
AEHH8B-CF

CAT. #:

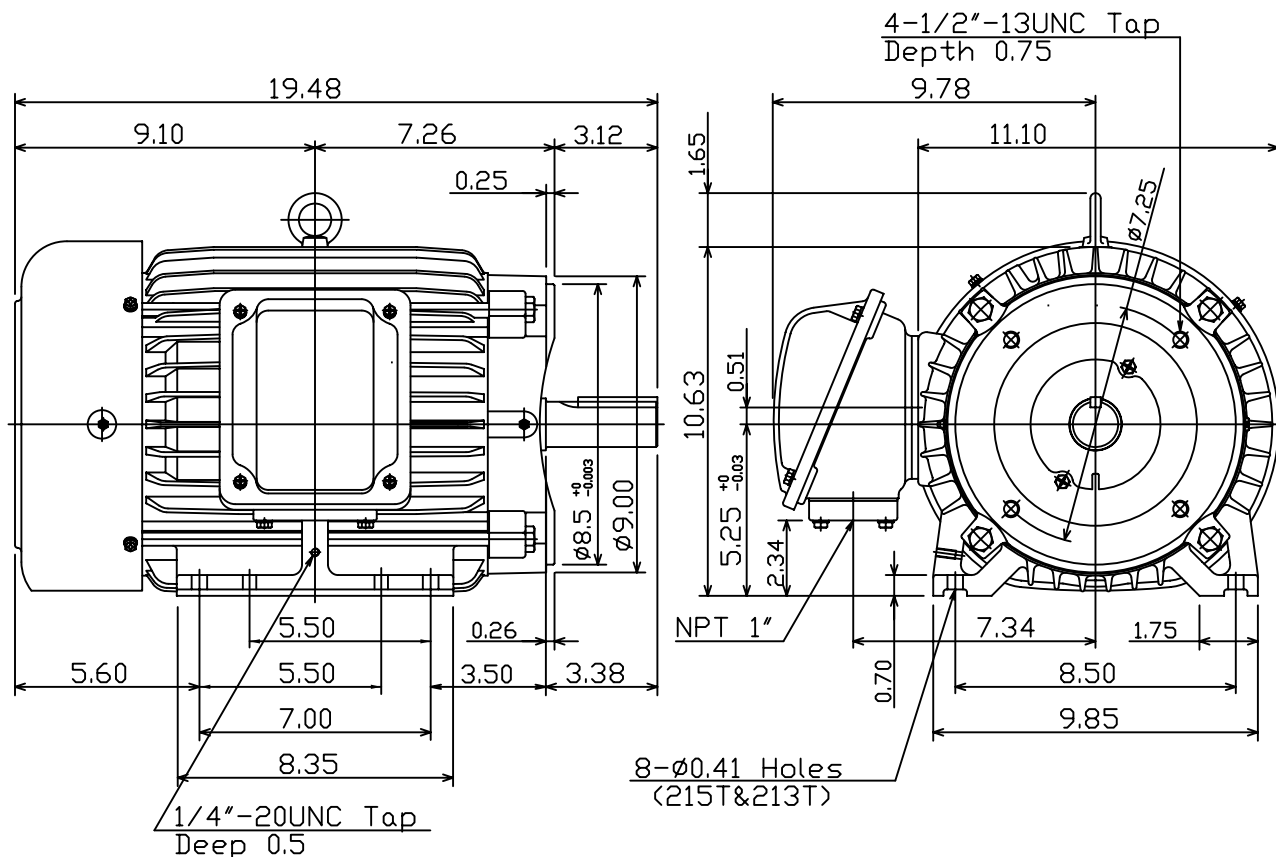
3-PHASE INDUCTION MOTOR

FRAME NO. 215TC

Pole	HP	kW	Hz	VOLT	Syn.Speed r/min(rpm)
2/4/6/8	-	-	60	460	-

Ins	Rating	Dimension in	Approx Weight	Bearings
F	CONT.	inches	198 LBS	DE: 6308ZC3 NDE: 6306ZC3

Totally Enclosed Fan-Cooled Type Squirrel-Cage Rotor.



Note:  
1. With Inpro Seals On Both End.

◇ ???TA6591-1??

DWN.	J.H.LIANG	10-03-06
CHKD.	H.C.YAN	10-03-06
APPD.	M.C.TSAI	10-03-06

## TECO Westinghouse

DWG NO.  
31049M894201