

DATE  
APRIL 26, 2004  
CATALOG NO.  
HB1/56

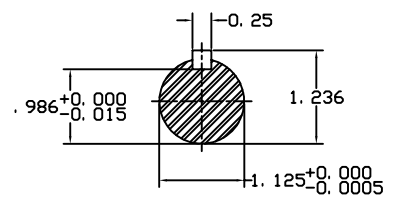
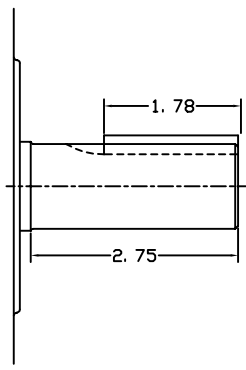
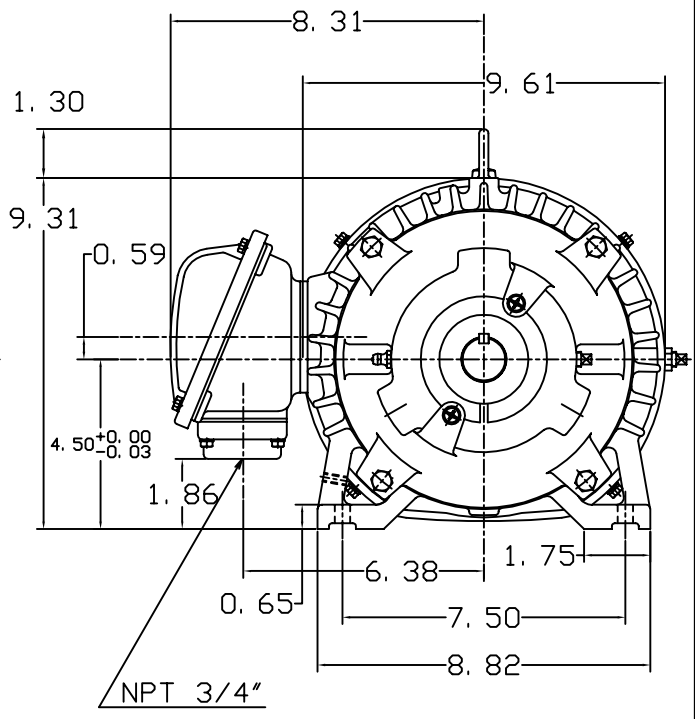
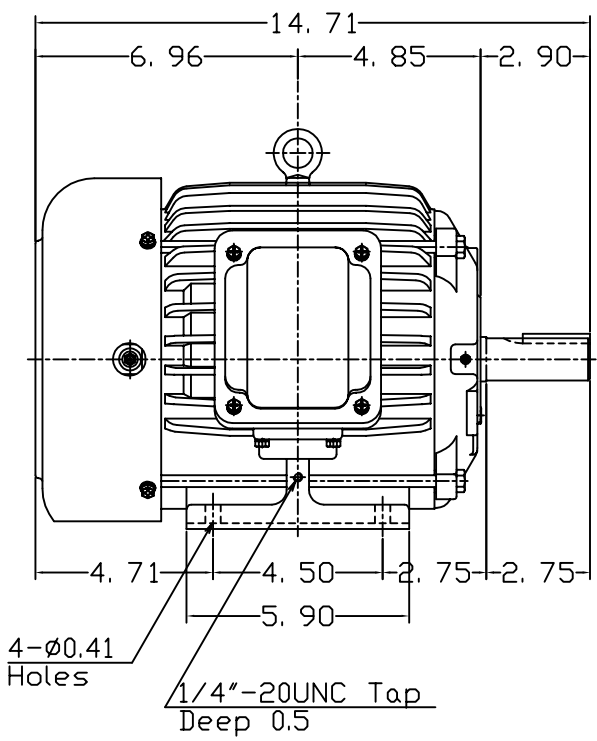
OUTLINE DIMENSIONS  
3-PHASE INDUCTION MOTOR

MOTOR TYPE:  
AEHH8B  
FRAME NO. 182T

Pole	HP	KW	Hz	VOLT	Syn.Speed RPM
6	1.5	1	60	460	1200

Ins	Rating	Dimension in	Approx Weight	Bearings
F	CONT.	inches	84 lbs.	DE: 6306ZC35C NDE: 6306ZC35C

Totally Enclosed Fan-Cooled Type.Squirrel-Cage Rotor.



DWN.	胡峰誠	11-12-98
CHKD.	羅清水	11-23-98
APPD.	黃友伯	11-23-98



DWG NO.  
31049HB891000