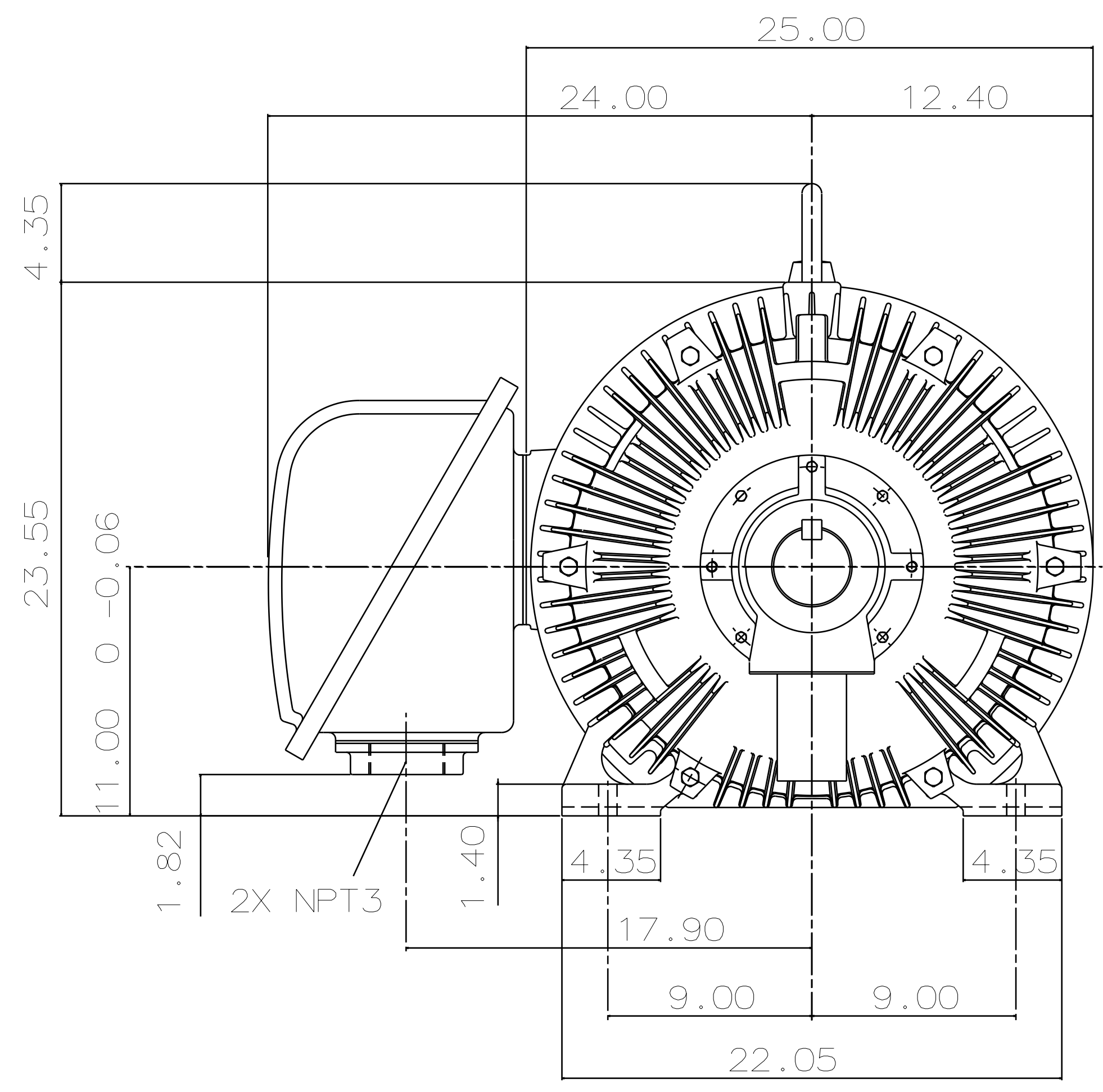
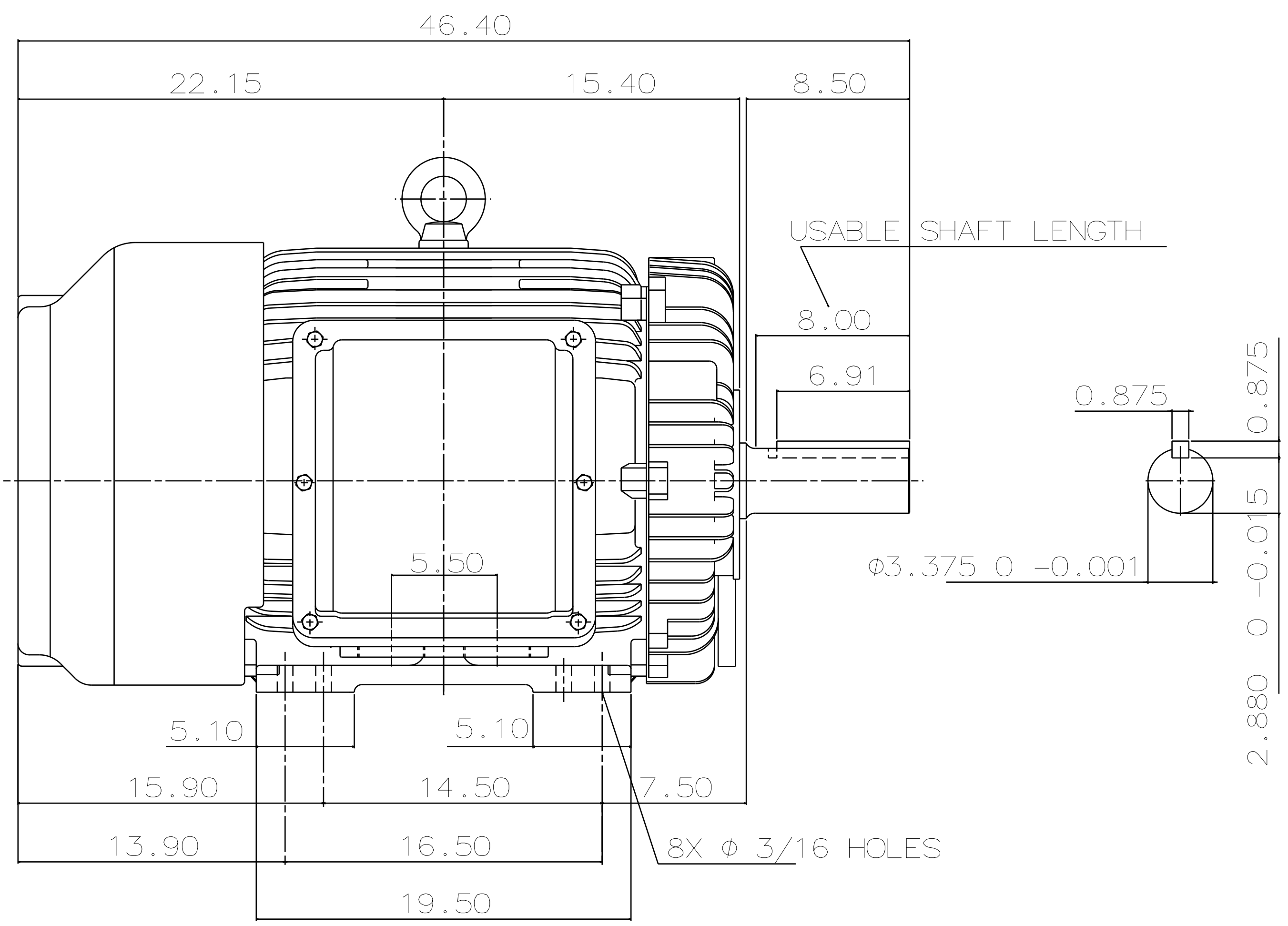


TYPE	OUTPUT		POLE	TIME RATING	VOLTAGE V	Hz	SYN. SPEED R.P.M
	HP.	kW.					
AEHH8B	125	93.3	6	CONT.	460	60	1200

TOTALLY ENCLOSED FAN-COOLED TYPE. SQUIRREL-CAGE ROTOR



- NOTE :
- DIMENSIONS IN INCH
 - FRAME NO. 445T
 - F CLASS INSULATION, S.F.1.15
 - FOR DIRECT FLEXIBLE COUPLING
 - ENCLOSURE: IP55
 - BEARING SIZE DRIVE END: 6318C3
NON-DRIVE END: 6316C3
 - APPROX. WEIGHT: 1850 LBS
 - INPRO SEAL ON BOTH ENDS.
 - NON-SPARKING FAN.
 - NOISE BELOW 83 DBA AT 1 METER AT NO LOAD.
 - VIBRATION VERTICAL/HORIZONTAL BELOW 0.08 IN/SEC
AXIAL BELOW 0.06 IN/SEC.

TW-56BC

DATE	12-12-17	OUTLINE DIMENSIONS
CATALOG #	HB1256	3-PHASE INDUCTION MOTOR
DWN.	T.H.Pan	FEB •18 •2005
CHKD.	H.HUANG	FEB •18 •2005
APPD.	C.WANG	FEB •18 •2005
		DWG NO. REV: 02
		3A040Y698