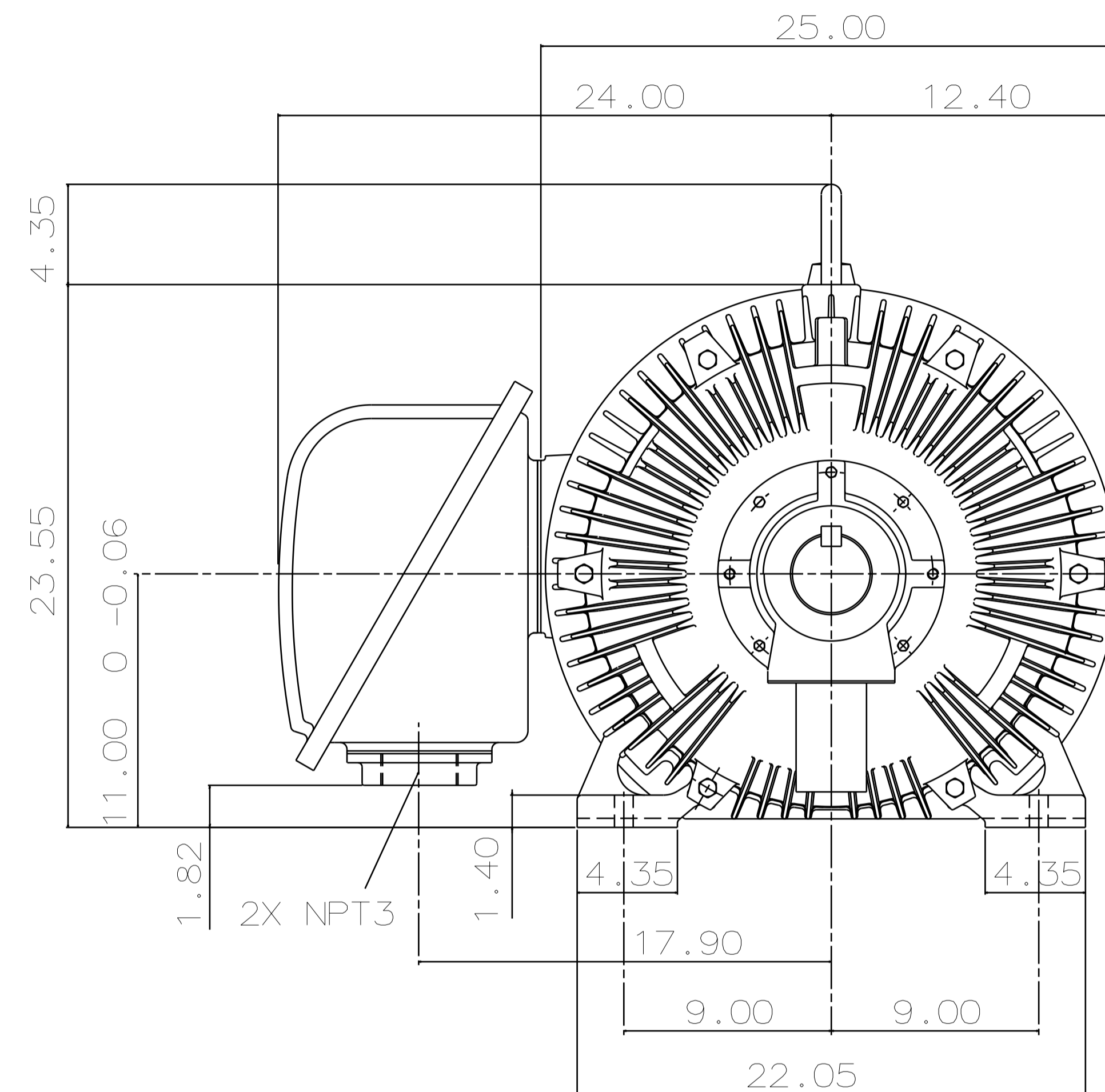
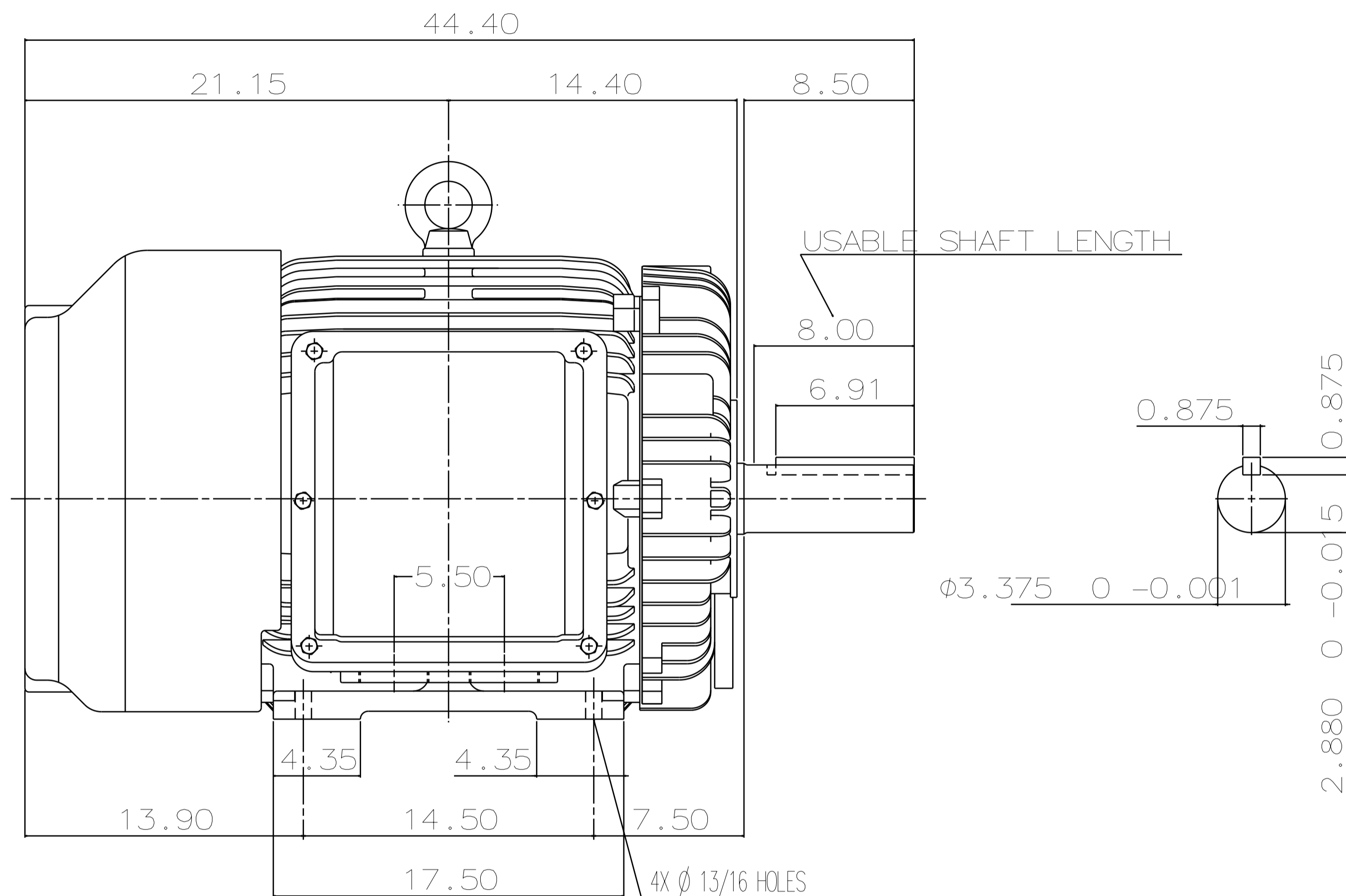


TYPE	OUTPUT		POLE	TIME RATING	VOLTAGE V	Hz	SYN. SPEED R.P.M
	HP.	kW.					
AEHH8B	125	93.3	4	CONT.	460	60	1800

TOTALLY ENCLOSED FAN-COOLED TYPE. SQUIRREL-CAGE ROTOR



NOTE:

- DIMENSIONS IN INCH
- FRAME NO. 444T
- F CLASS INSULATION, S.F.1.15
- FOR DIRECT FLEXIBLE COUPLING
- ENCLOSURE: IP55
- BEARING SIZE: DRIVE END: 6318C3  
NON-DRIVE END: 6316C3
- APPROX. WEIGHT: 1650 LBS
- INPRO SEAL ON BOTH ENDS.
- NON-SPARKING FAN.
- NOISE BELOW 83 DBA AT 1 METER AT NO LOAD.
- VIBRATION VERTICAL/HORIZONTAL BELOW 0.06 IN/SEC  
AXIAL BELOW 0.06 IN/SEC.

TW-56BC

DATE	12-12-17	OUTLINE DIMENSIONS
CATALOG #	HB1254	3-PHASE INDUCTION MOTOR
DWG NO.	3A040Y696	REV: 02

DWN.	T.H.Pan	FEB •18 •2005
CHKD.	H.HUANG	FEB •18 •2005
APPD.	C.WANG	FEB •18 •2005

**TECO** Westinghouse