

DATE
Sept. 13, 2005
CAT. #: HB0754-50

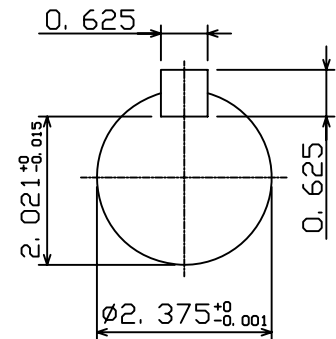
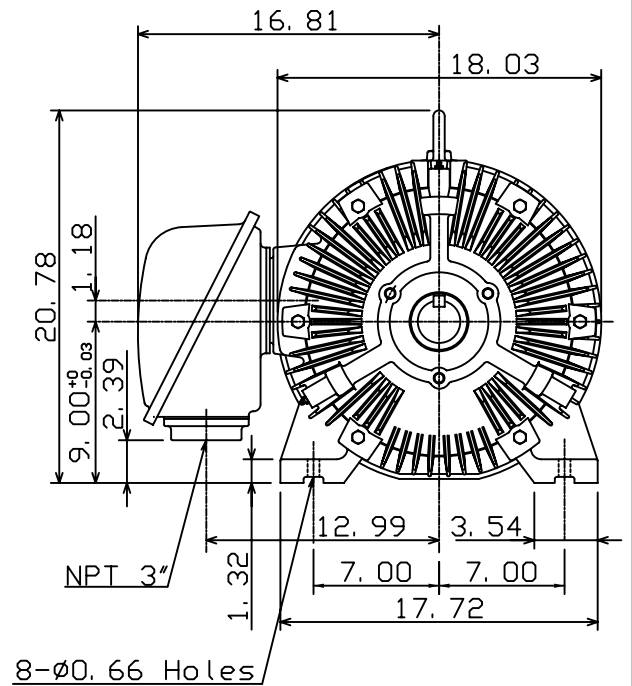
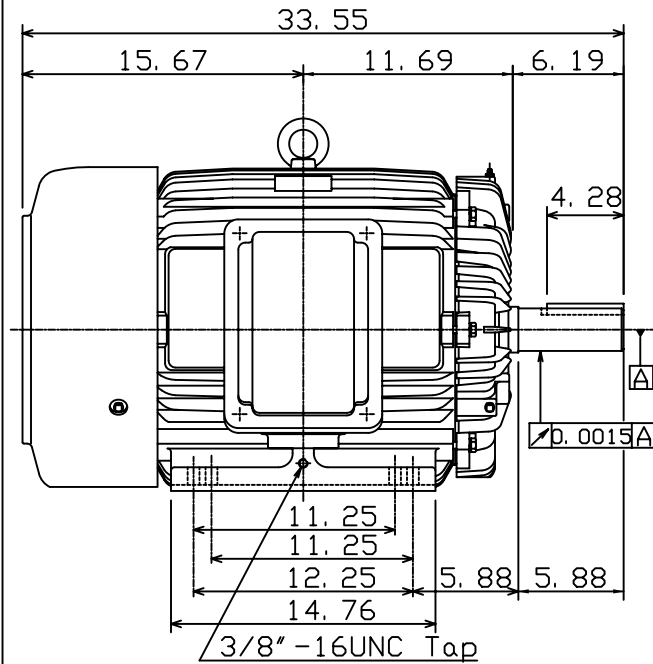
OUTLINE DIMENSIONS
3-PHASE INDUCTION MOTOR

MOTOR TYPE:
AEHH8B
FRAME NO. 365T

Pole	HP	kW	Hz	VOLT	Syn. Speed r/min(rpm)
4	75	56	50	380	1500

Ins	Rating	Dimension in	Approx Weight	Bearings
F	CONT.	inches	913 lbs.	DE: 6313ZC3 NDE: 6213ZC3

Totally Enclosed Fan-Cooled Squirrel-Cage Rotor.



- Note:
1. Motor Vibration: 15μ.
2. Inpro/Seal in Both End Brackets

01. 20. 05

K. L. KUO

DWN.	C. H. SHYU	01-16-01
CHKD.	C. H. KAO	01-16-01
APPD.	Y. B. HUANG	01-16-01



DWG NO.
31049M632251