

DATE  
APRIL 19, 2004  
CATALOG NO.  
HBO606-50

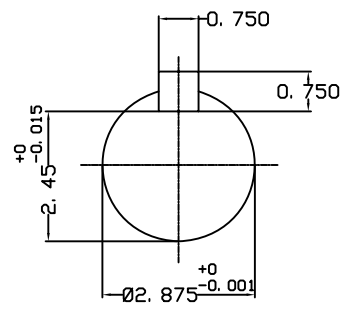
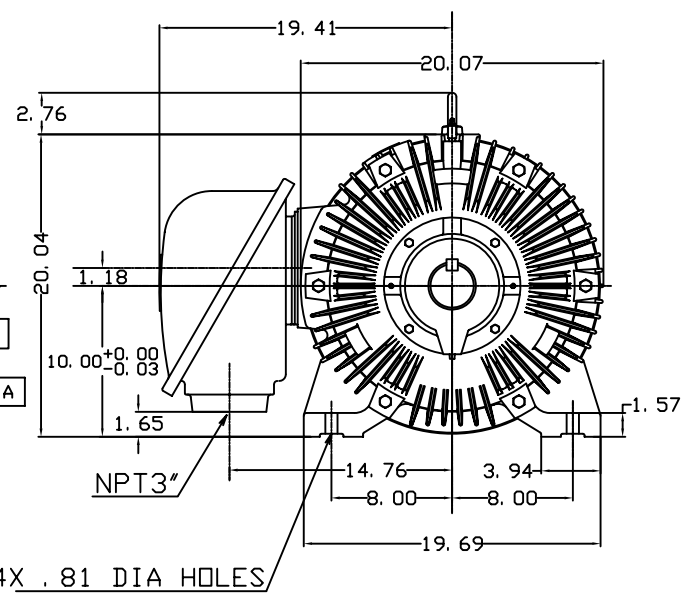
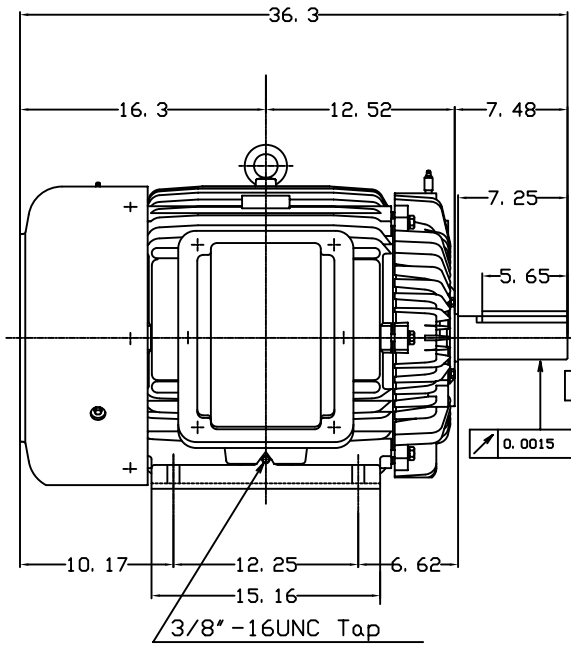
OUTLINE DIMENSIONS  
3-PHASE INDUCTION MOTOR

MOTOR TYPE:  
AEHH8B  
FRAME NO. 404T

| Pole | HP | KW | Hz | VOLT | Syn. Speed<br>RPM |
|------|----|----|----|------|-------------------|
| 6    | 60 | 45 | 50 | 380  | 1000              |

| Ins | Rating | Dimension in | Approx Weight | Bearings                  |
|-----|--------|--------------|---------------|---------------------------|
| F   | CONT.  | inches       | 1166 lbs.     | DE: 6317C3 NDE: 6313ZC35C |

Totally Enclosed Fan Cooled Type, Squirrel-cage Rotor.



|   |  |  |
|---|--|--|
| 0 |  |  |
|---|--|--|

|       |             |          |
|-------|-------------|----------|
| DWN.  | J. H. LIANG | 11-30-98 |
| CHKD. | C. H. KAO   | 12-26-98 |
| APPD. | Y. B. HUANG | 12-26-98 |



DWG NO.  
31049HB633040