

DATE  
OCTOBER 6, 2011  
CATALOG NO.  
HB0508

# OUTLINE DIMENSIONS

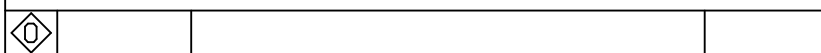
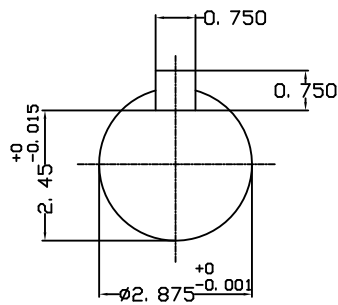
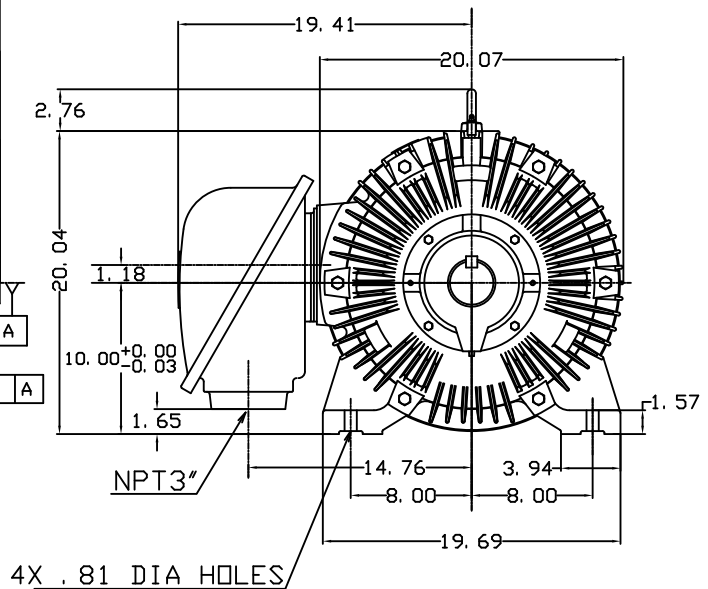
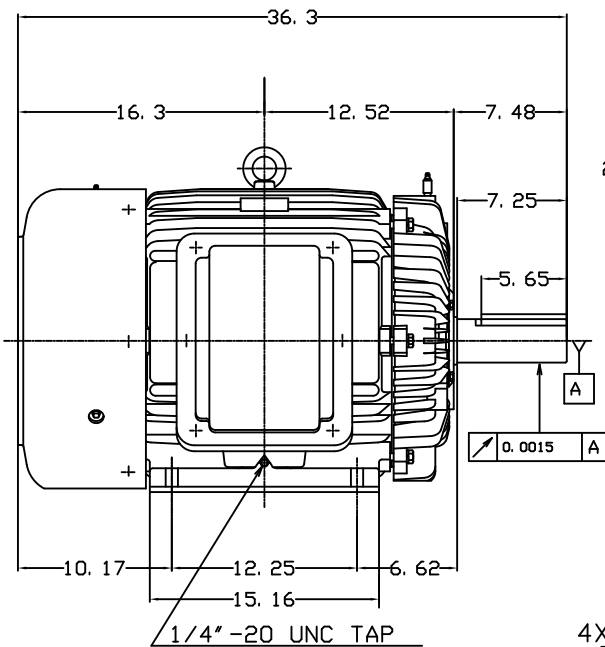
## 3-PHASE INDUCTION MOTOR

MOTOR TYPE:  
AEHH8B  
FRAME NO. 404T

Pole	HP	KW	Hz	VOLT	Syn. Speed RPM
8	50	37	60	460	900

Ins	Rating	Dimension in	Approx Weight	Bearings
F	CONT.	inches	1166 lbs.	DE: 6317C3 NDE:6313ZC35C

Totally Enclosed Fan Cooled Type, Squirrel-cage Rotor.



DWN. J. H. LIANG 11-30-98  
CHKD. C. H. KAO 12-26-98  
APPD. Y. B. HUANG 12-26-98

TECO Westinghouse

DWG NO.  
31049HB633040