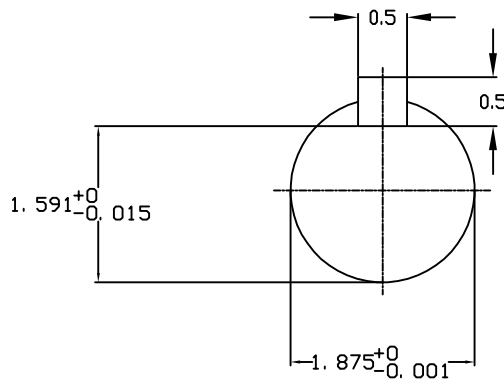
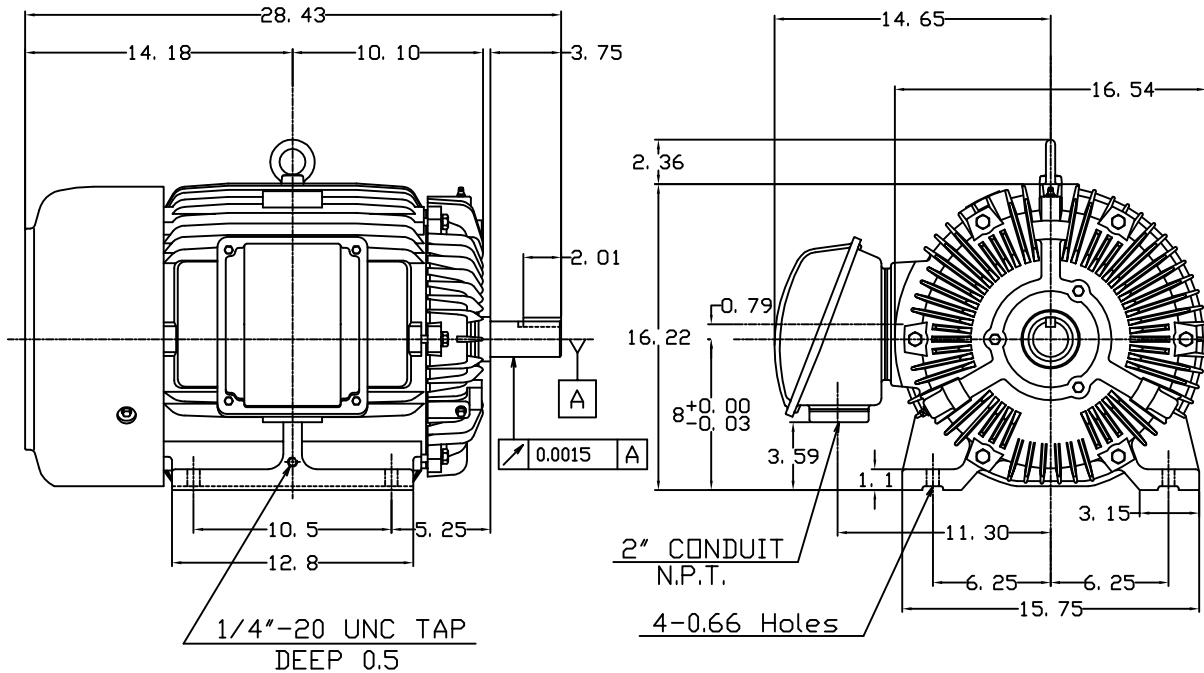


DATE JUNE 15, 2010	OUTLINE DIMENSIONS 3-PHASE INDUCTION MOTOR	MOTOR TYPE: AEHH8B
CATALOG NO. HB0402		FRAME NO. 324TS

Pole	HP	KW	Hz	VOLT	Syn.Speed RPM
2	40	29.8	60	460	3600

Ins	Rating	Dimension in	Approx Weight	Bearings
F	CONT.	inches	616 lbs.	DE:6312ZC35C NDE:6212ZC35C

Totally Enclosed Fan-Cooled Type, Squirrel-Cage Rotor.



① 03.16.00	J.C.LIN
------------	---------

DWN.	J.H.LIANG	11-30-98
CHKD.	C.H.KAO	12-26-98
APPD.	Y.B.HUANG	12-26-98

TECO Westinghouse

DWG NO.  
31057HB214030