

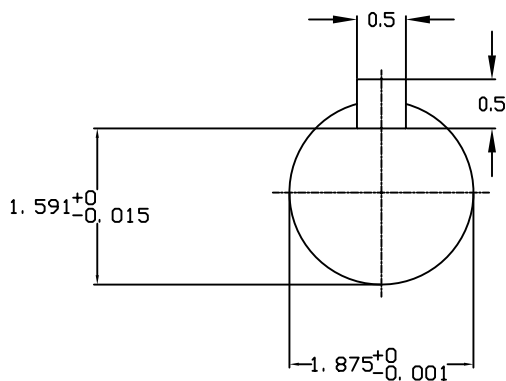
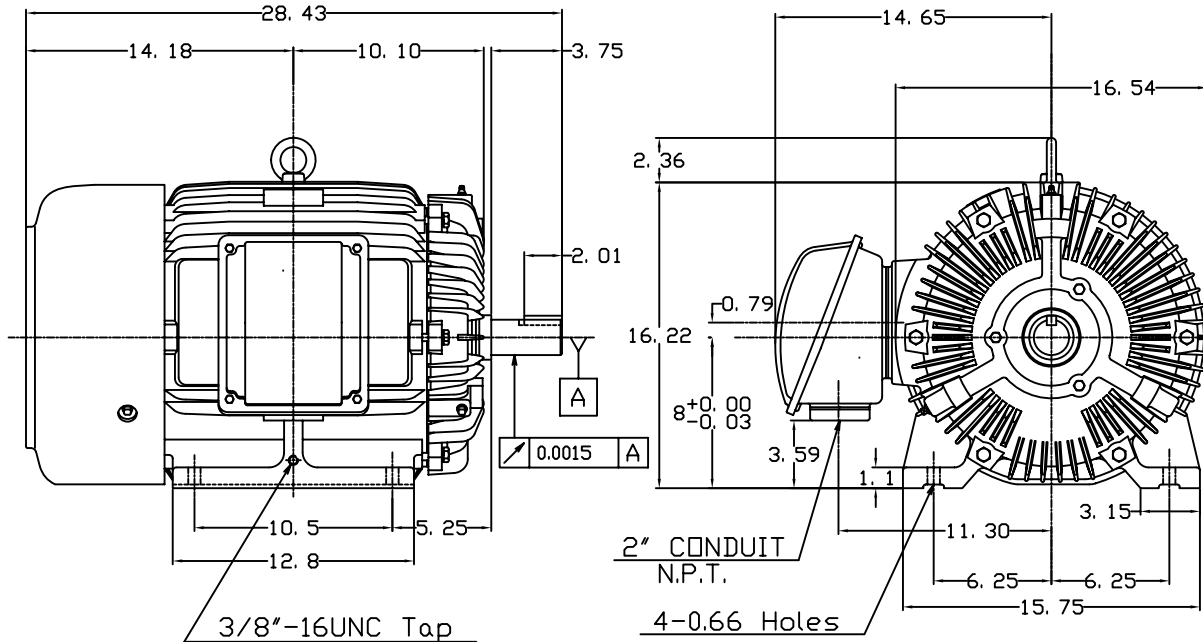
DATE  
APRIL 16, 2004  
CATALOG NO.  
HB0402-50

OUTLINE DIMENSIONS  
3-PHASE INDUCTION MOTOR

MOTOR TYPE:  
AEHH8B  
FRAME NO. 324TS

Pole	HP	KW	Hz	VOLT	Syn.Speed RPM
2	40	29.8	50	380	3000
Ins	Rating	Dimension in	Approx Weight	Bearings	
F	CONT.	inches	616 lbs.	DE:6312ZC35C NDE:6212ZC35C	

Totally Enclosed Fan-Cooled Type, Squirrel-Cage Rotor.



① 03.16.00 J.C.LIN

DWN.	J.H.LIANG	11-30-98
CHKD.	C.H.KAO	12-26-98
APPD.	Y.B.HUANG	12-26-98



DWG NO.  
31057HB214030