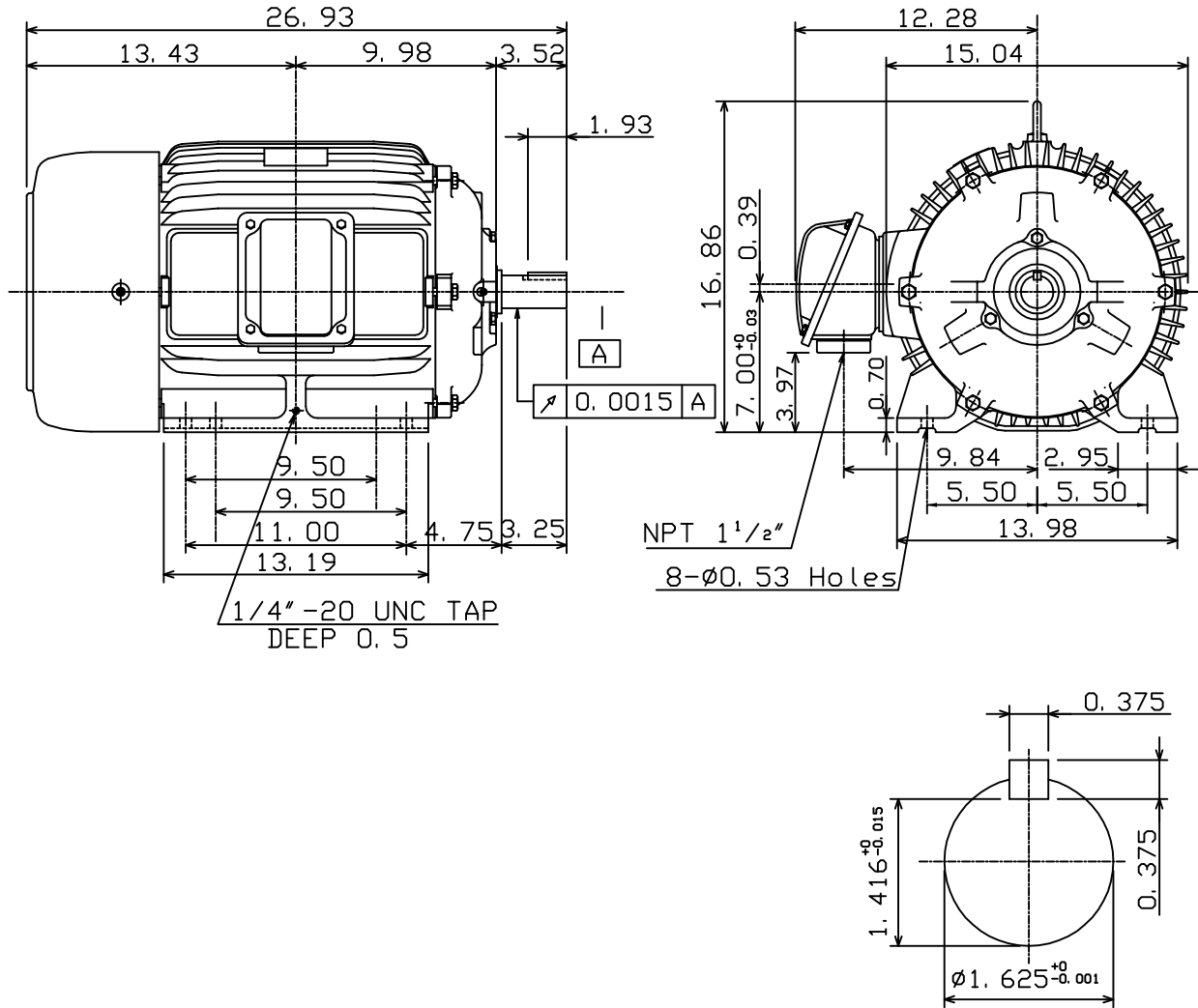


DATE JUNE 17, 2010	OUTLINE DIMENSIONS 3-PHASE INDUCTION MOTOR	MOTOR TYPE: AEHH8B
CAT. #: HB0302		FRAME NO. 286TS

Pole	HP	kW	Hz	VOLT	Syn. Speed r/min(rpm)
2	30	22.4	60	460	3600

Ins	Rating	Dimension in	Approx Weight	Bearings	
F	CONT.	inches	444 lbs.	DE: 6311ZC3	NDE: 6310ZC3

Totally Enclosed Fan Cooled Type. Squirrel-cage Rotor.



Note:

1. Motor Vibration: 10 μ .
2. Inpro/Seal in Both End Brackets

① 01.20.05	K. L. KUO
------------	-----------

DWN. K. L. KUO 06-14-03	TEC   Westinghouse	DWG NO.
CHKD. C. H. KAO 06-17-03		31049M628281
APPD. M. C. TSAI 06-17-03		