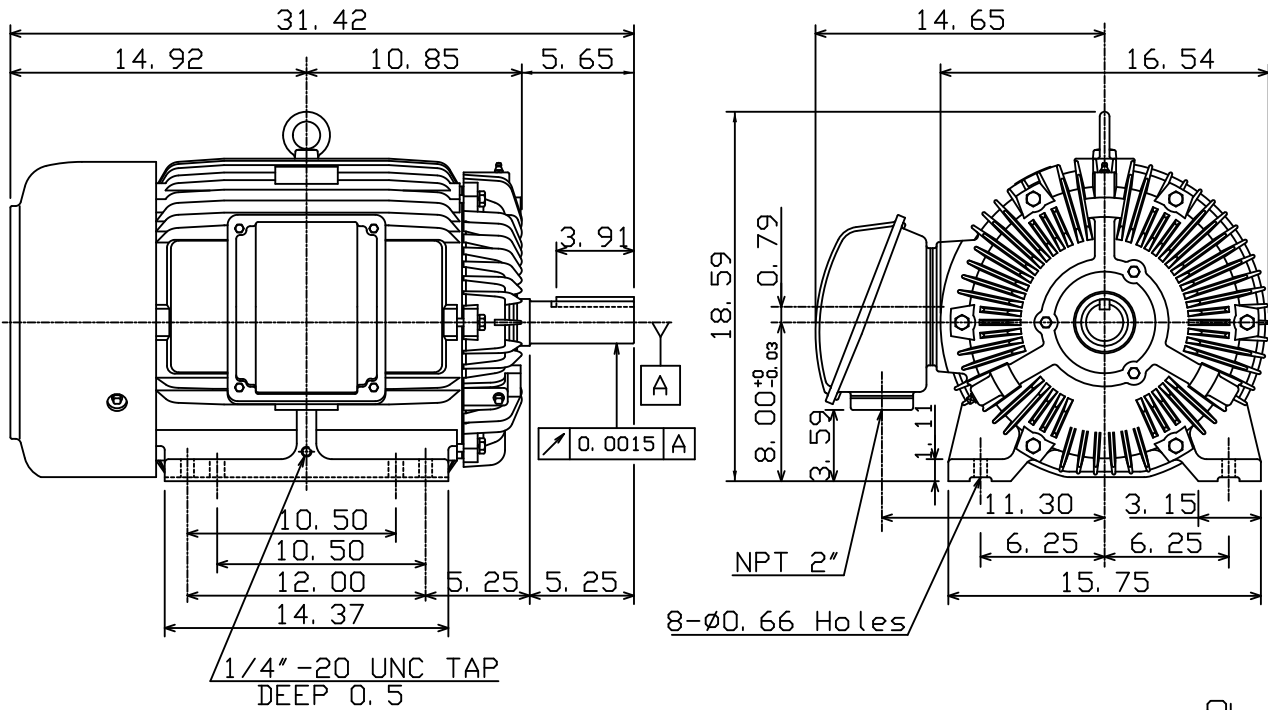


DATE DECEMBER 4, 2011	OUTLINE DIMENSIONS 3-PHASE INDUCTION MOTOR	MOTOR TYPE: AEHH8B
CAT. #: HB0258		FRAME NO. 326T

Pole	HP	kW	Hz	VOLT	Syn. Speed r/min(rpm)
8	25	18.7	60	460	900

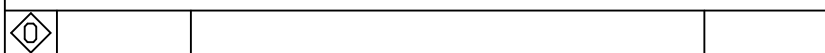
Ins	Rating	Dimension in	Approx Weight	Bearings	
F	CONT.	inch	675 lbs.	DE: 6312ZC3	NDE: 6212ZC3

Totally Enclosed Fan-Cooled Type. Squirrel-Cage Rotor.



Note:

1. Motor Vibration: 15µ.
2. Inpro/Seal in Both End Brackets



DWN.	K. L. KUO	01-20-05
CHKD.	C. H. KAO	02-02-05
APPD.	M. C. TSAI	02-02-05

TECO Westinghouse

DWG NO.
31049M630180