

DATE  
APRIL 16, 2004  
CATALOG NO.  
HB0256-50

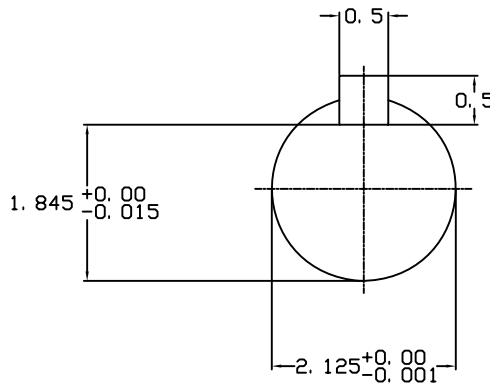
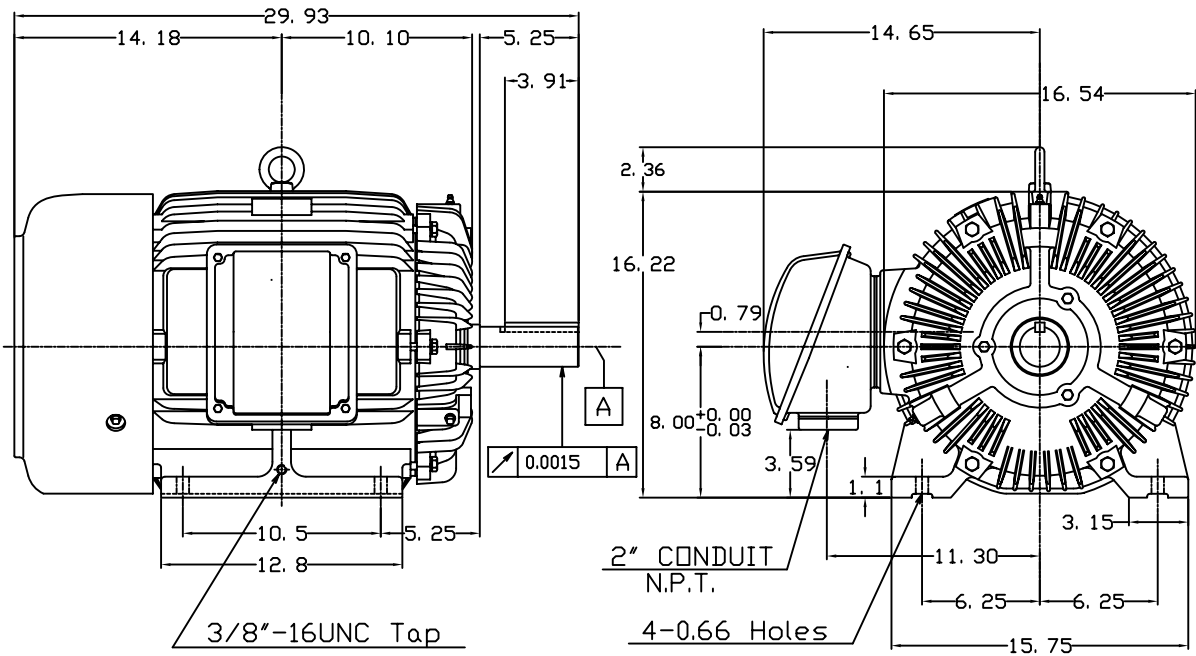
OUTLINE DIMENSIONS  
3-PHASE INDUCTION MOTOR

MOTOR TYPE:  
AEHH8B  
FRAME NO. 324T

Pole	HP	KW	Hz	VOLT	Syn.Speed RPM
6	25	18.65	50	380	1000

Ins	Rating	Dimension in	Approx Weight	Bearings
F	CONT.	inches	638 lbs.	DE:6312ZC35C NDE:6212ZC35C

Totally Enclosed Fan-Cooled Type. Squirrel-Cage Rotor.



① 03.16.00 J.C.LIN

DWN.	J.H.LIANG	11-30-98
CHKD.	C.H.KAO	12-26-98
APPD.	Y.B.HUANG	12-26-98

TECO Westinghouse

DWG NO.  
31057HB208021