

DATE
JUNE 17, 2011
CATALOG NO.
HB0208

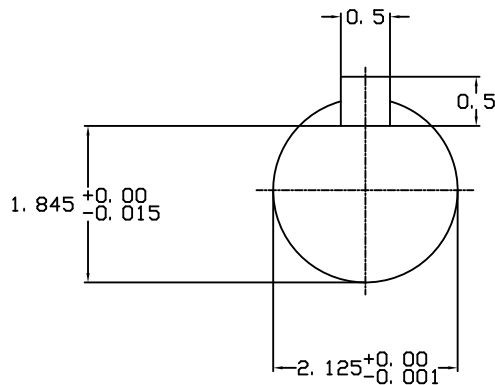
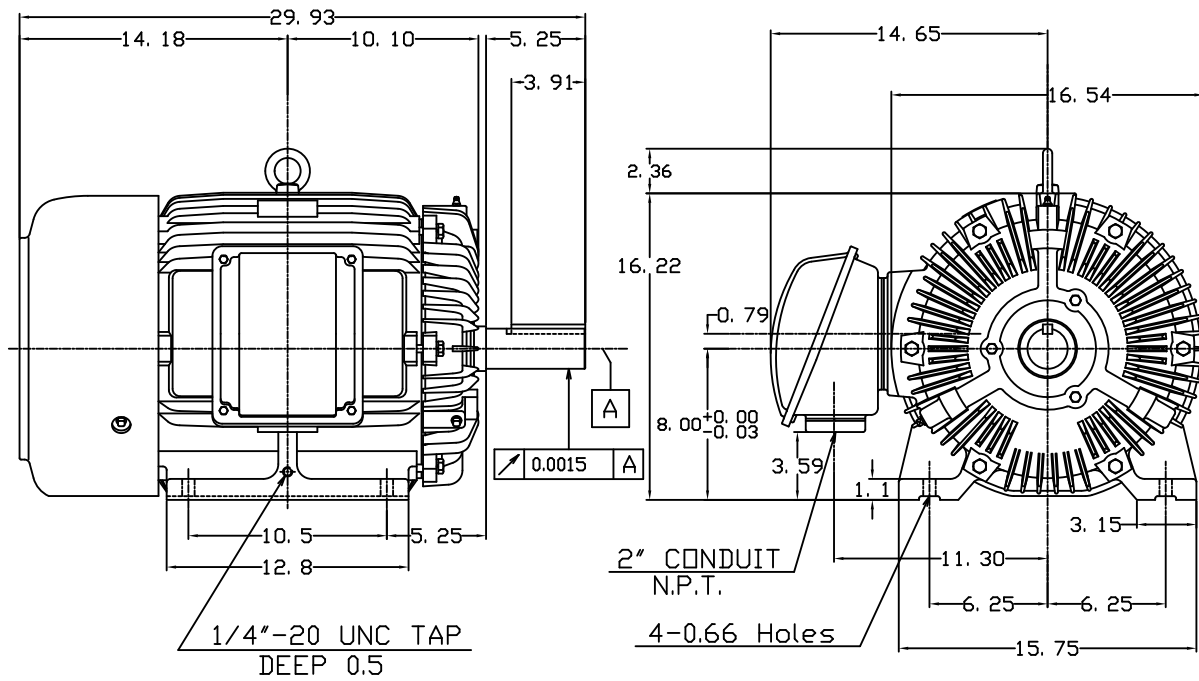
OUTLINE DIMENSIONS
3-PHASE INDUCTION MOTOR

MOTOR TYPE:
AEHH8B
FRAME NO. 324T

Pole	HP	KW	Hz	VOLT	Syn.Speed RPM
8	20	14.9	60	460	900

Ins	Rating	Dimension in	Approx Weight	Bearings
F	CONT.	inches	638 lbs.	DE:6312ZC35C NDE:6212ZC35C

Totally Enclosed Fan-Cooled Type, Squirrel-Cage Rotor.



① 03.16.00 J.C.LIN

DWN.	J.H.LIANG	11-30-98
CHKD.	C.H.KAO	12-26-98
APP'D.	Y.B.HUANG	12-26-98

TECO Westinghouse

DWG NO.
31057HB208022