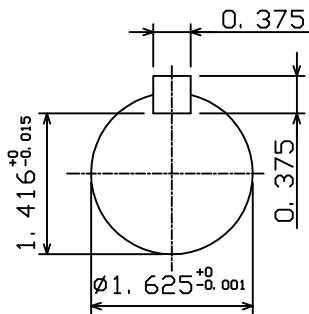
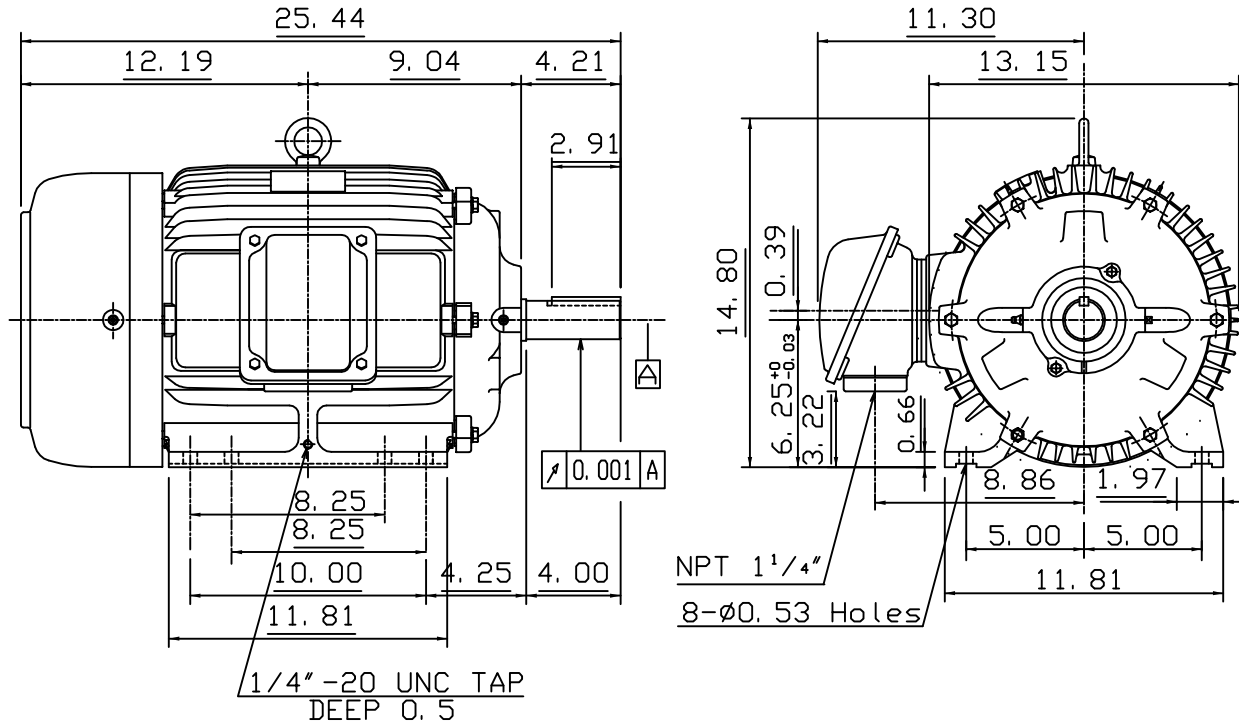


DATE JUNE 14, 2010	OUTLINE DIMENSIONS 3-PHASE INDUCTION MOTOR	MOTOR TYPE: AEHH8B
CAT. #: HB0202		FRAME NO. 256T

Pole	HP	kW	Hz	VOLT	Syn. Speed r/min(rpm)
2	20	15	60	460	3600

Ins	Rating	Dimension in	Approx Weight	Bearings
F	CONT.	inches	318 lbs.	DE: 6309ZC35CNDE: 6307ZC35C

Totally Enclosed Fan-Cooled Type. Squirrel-cage Rotor.



Note:

1. Motor Vibration: 10 μ .
2. Inpro/Seal in Both End Brackets

01. 20. 05

K. L. KUO

DWN.	K. L. KUO	06-14-03
CHKD.	C. H. KAO	06-17-03
APPD.	M. C. TSAI	06-17-03

TECO Westinghouse

DWG NO.

31049M626311