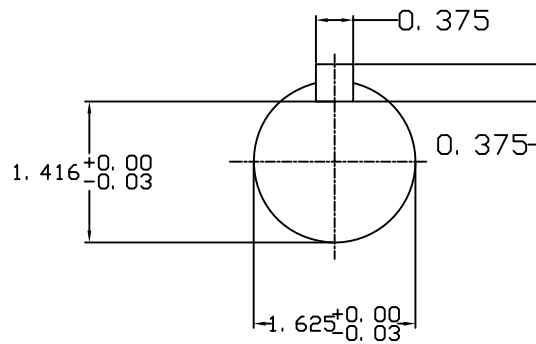
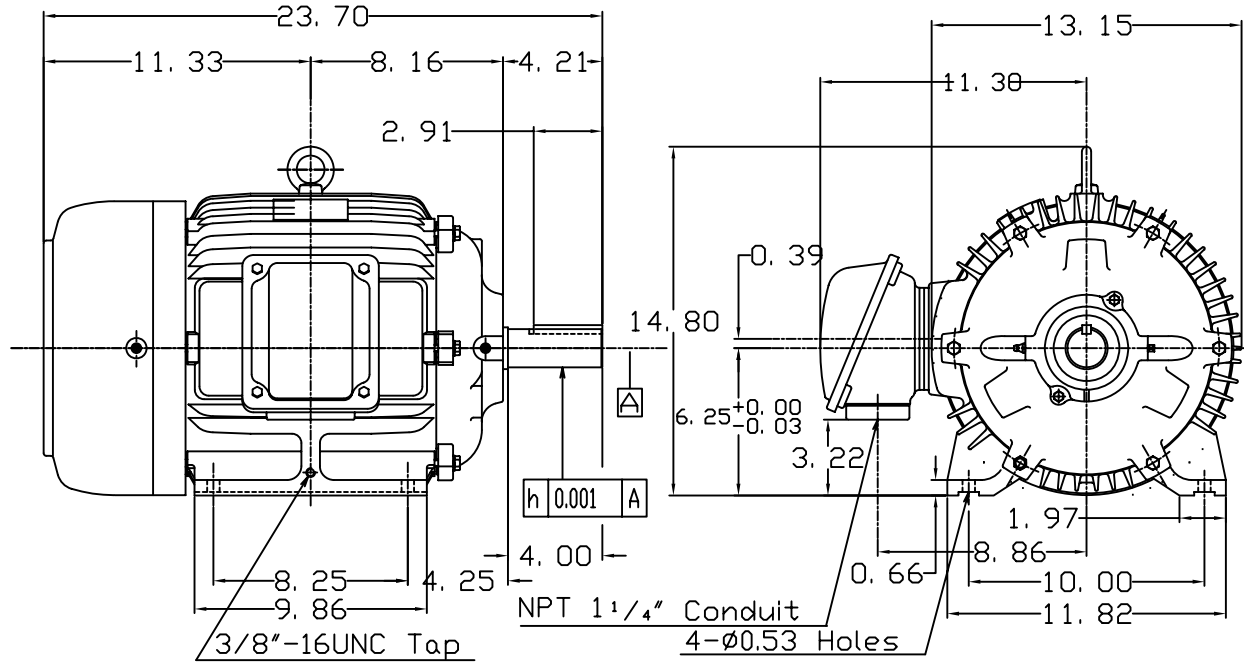


DATE APRIL 27, 2003	OUTLINE DIMENSIONS 3-PHASE INDUCTION MOTOR	MOTOR TYPE: AEHH8B
CATALOG NO. HB0152-50		FRAME NO. 254T

Pole	HP	KW	Hz	VOLT	Syn.Speed RPM
2	15	11	50	380	3000

Ins	Rating	Dimension in	Approx Weight	Bearings
F	CONT.	inches	297 lbs.	DE: 6309ZC35C NDE: 6307ZC35C

Totally Enclosed Fan-Cooled Type. Squirrel-cage Rotor.



◇		
---	--	--

DWN.	簡學民	12-04-98
CHKD.	高金星	12-10-98
APPD.	黃友伯	12-10-98

TECO Westinghouse

DWG NO.
31049HB625061