

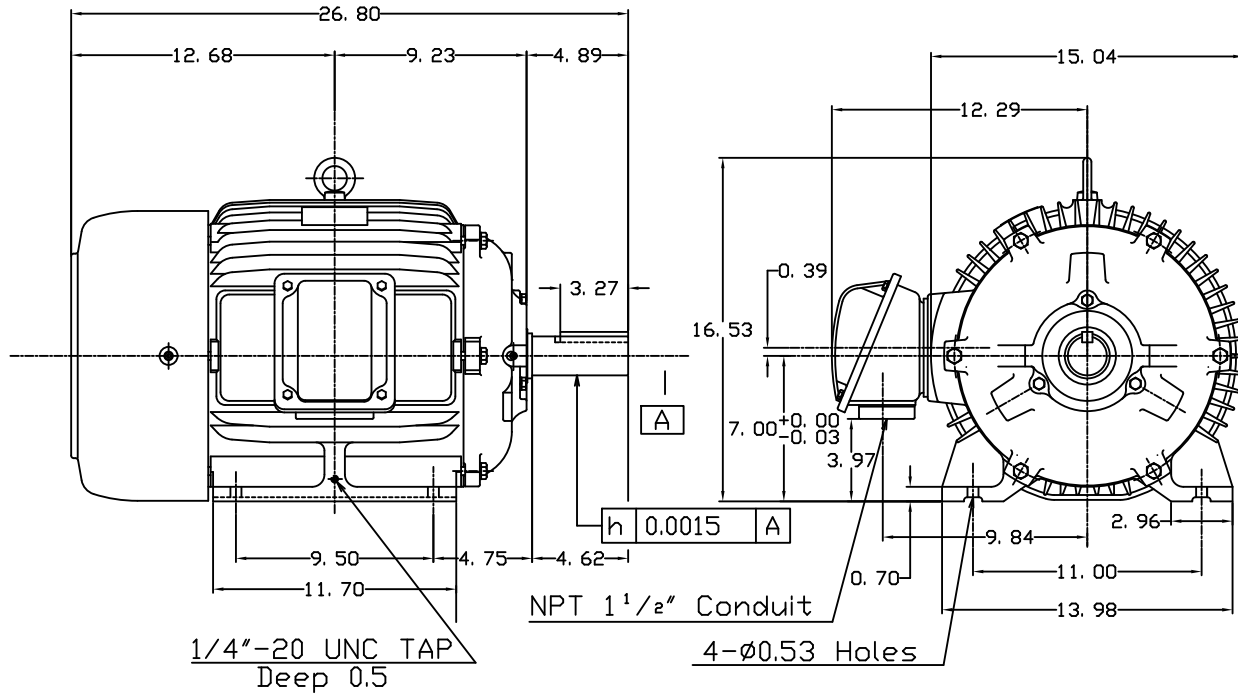
DATE
JUNE 14, 2011
CATALOG NO.
HB0108

OUTLINE DIMENSIONS
3-PHASE INDUCTION MOTOR

MOTOR TYPE:
AEHH8B
FRAME NO. 284T

Pole	HP	KW	Hz	VOLT	Syn.Speed RPM
8	10	7.5	60	460	900
Ins	Rating	Dimension in	Approx Weight	Bearings	
F	CONT.	inches	418 lbs.	DE: 6311ZC35C NDE: 6310ZC35C	

Totally Enclosed Fan Cooled Type. Squirrel-cage Rotor.



DWN.	J.H.LIANG	11-30-98
CHKD.	C.H.KAO	12-26-98
APPD.	Y.B.HUANG	12-26-98

TECO Westinghouse

DWG NO.
31049HB627031