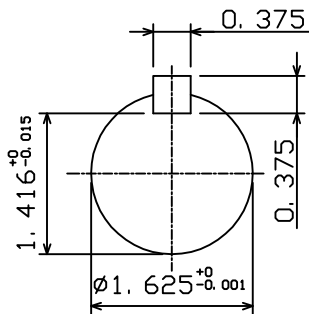
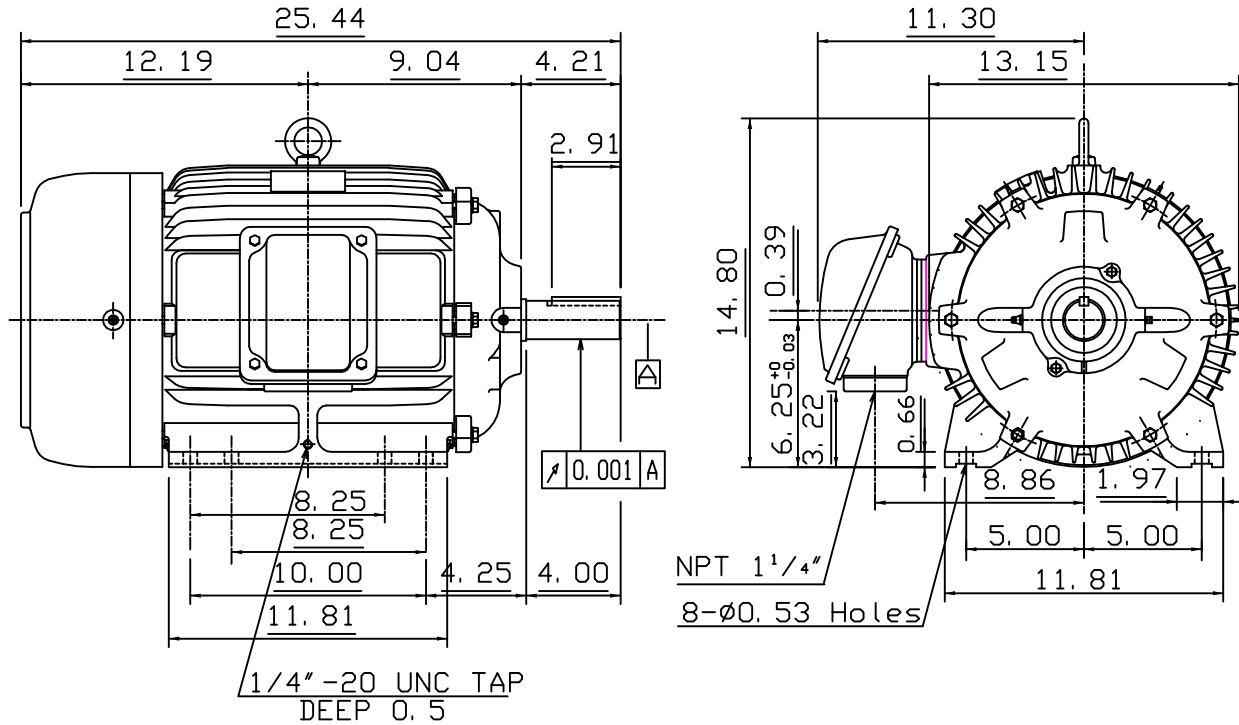


DATE JUNE 14, 2010	OUTLINE DIMENSIONS 3-PHASE INDUCTION MOTOR	MOTOR TYPE: AEHH8B
CAT. #: HB0106		FRAME NO. 256T

Pole	HP	kW	Hz	VOLT	Syn. Speed r/min(rpm)
6	10	7.5	60	460	1200

Ins	Rating	Dimension in	Approx Weight	Bearings
F	CONT.	inches	320 lbs.	DE: 6309ZC35CNDE: 6307ZC35C

Totally Enclosed Fan-Cooled Type. Squirrel-cage Rotor.



Note:

1. Motor Vibration: 15 μ .
2. Inpro/Seal in Both End Brackets

01. 20. 05	K. L. KUO
------------	-----------

DWN. K. L. KUO 06-14-03	TEC Westinghouse	DWG NO.
CHKD. C. H. KAO 06-17-03		31049M626311
APPD. M. C. TSAI 06-17-03		