

DATE
Sept. 13, 2005
CAT. #: HBO106-50

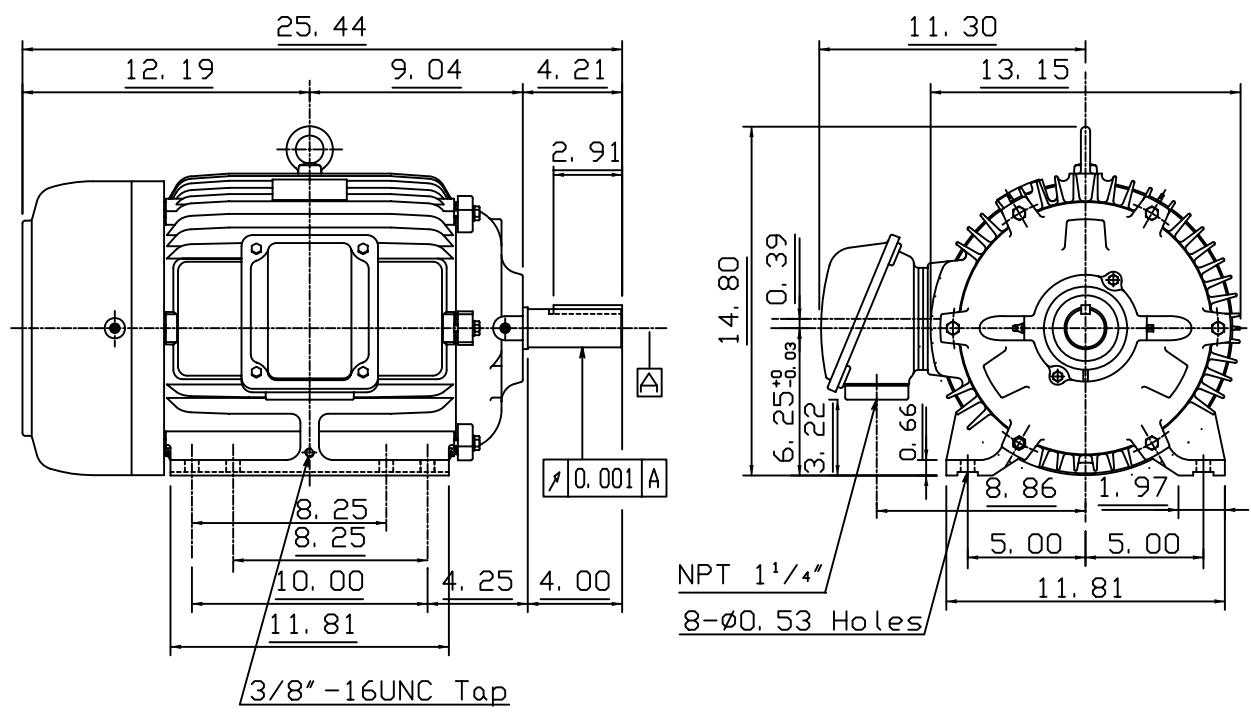
OUTLINE DIMENSIONS
3-PHASE INDUCTION MOTOR

MOTOR TYPE:
AEHH8B
FRAME NO. 256T

Pole	HP	kW	Hz	VOLT	Syn. Speed r/min(rpm)
6	10	7.5	50	380	1000

Ins	Rating	Dimension in	Approx Weight	Bearings
F	CONT.	inches	320 lbs.	DE: 6309ZC35CNDE: 6307ZC35C

Totally Enclosed Fan-Cooled Type. Squirrel-cage Rotor.



- Note:
1. Motor Vibration: 15 μ .
 2. Inpro/Seal in Both End Brackets

① 01. 20. 05 K. L. KUO

DWN.	K. L. KUO	06-14-03
CHKD.	C. H. KAO	06-17-03
APPD.	M. C. TSAI	06-17-03



DWG NO.
31049M626311