

DATE
Sept. 13, 2005
CAT. #: HB0056-50

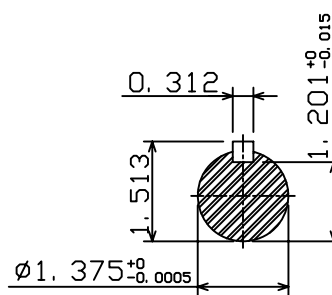
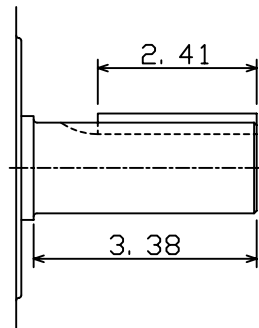
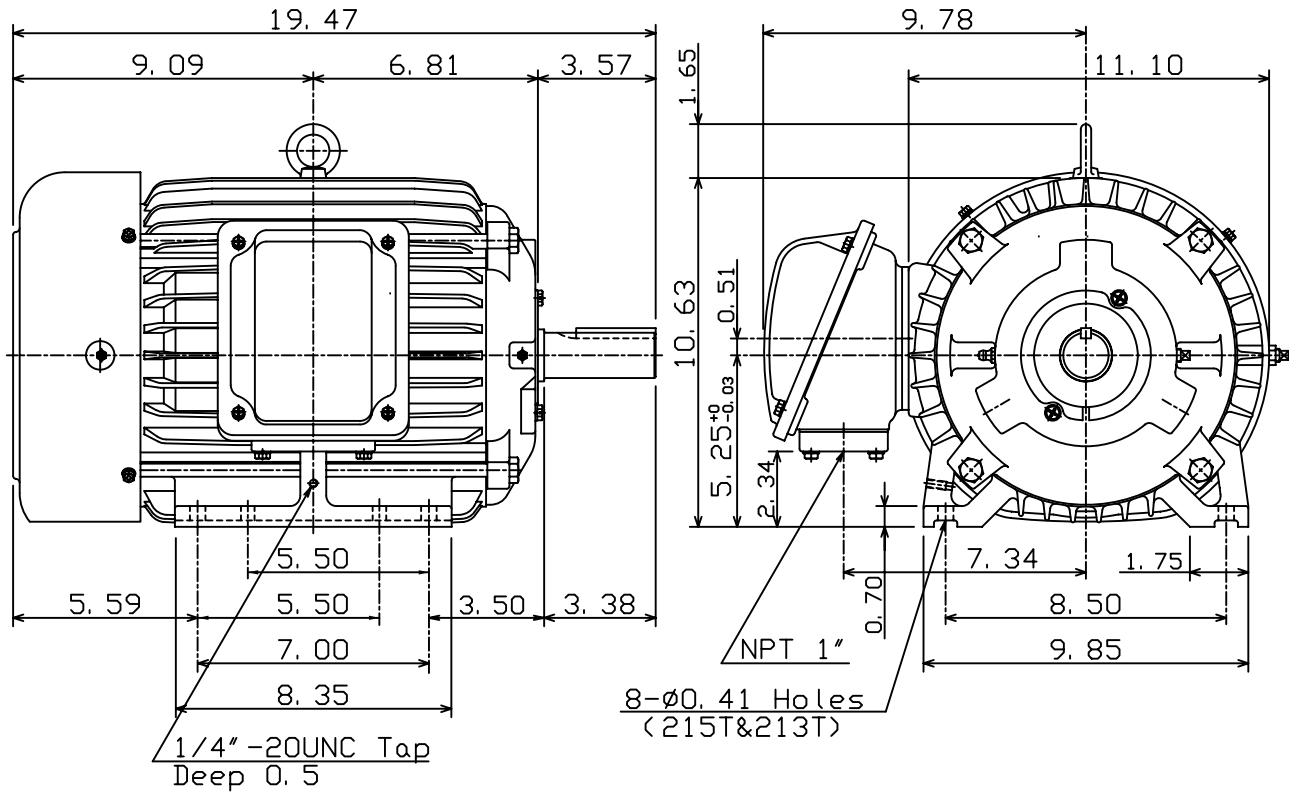
OUTLINE DIMENSIONS

3-PHASE INDUCTION MOTOR

MOTOR TYPE:
AEHH8B
FRAME NO. 215T

| Pole | HP | kW | Hz | VOLT | Syn. Speed r/min(rpm) |
|------|--------|--------------|---------------|------------------------------|--------------------------|
| 6 | 5 | 3.7 | 50 | 380 | 1000 |
| Ins | Rating | Dimension in | Approx Weight | Bearings | |
| F | CONT. | inches | 184 lbs | DE: 6308ZC35C NDE: 6306ZC35C | |

Totally Enclosed Fan-Cooled Type, Squirrel-Cage Rotor.



Note:
1. Motor Vibration: 7.5µ.
2. Both End With Inpro/Seal.



| | | |
|-------|------------|----------|
| DWN. | C. S. LO | 12-22-04 |
| CHKD. | C. S. LO | 12-27-04 |
| APPD. | M. C. TSAI | 12-27-04 |

TECO Westinghouse

DWG NO.
31049U595020