

DATE  
Sept. 13, 2005  
CAT. #: HB0026

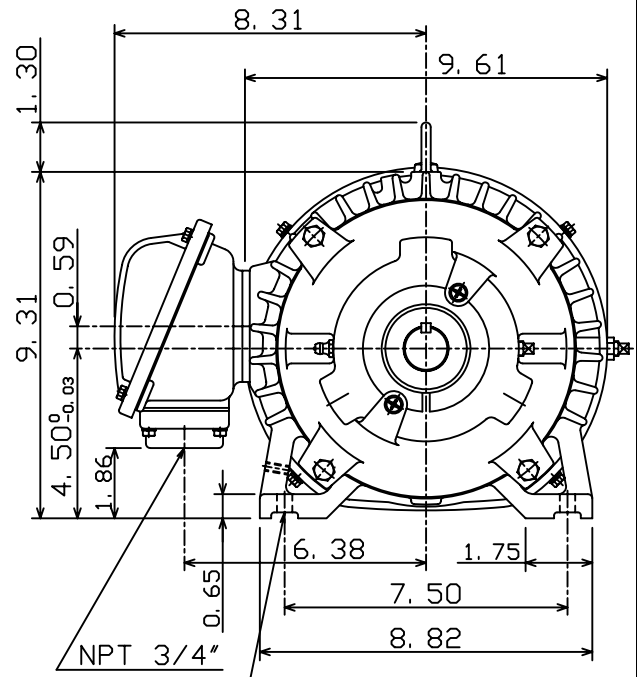
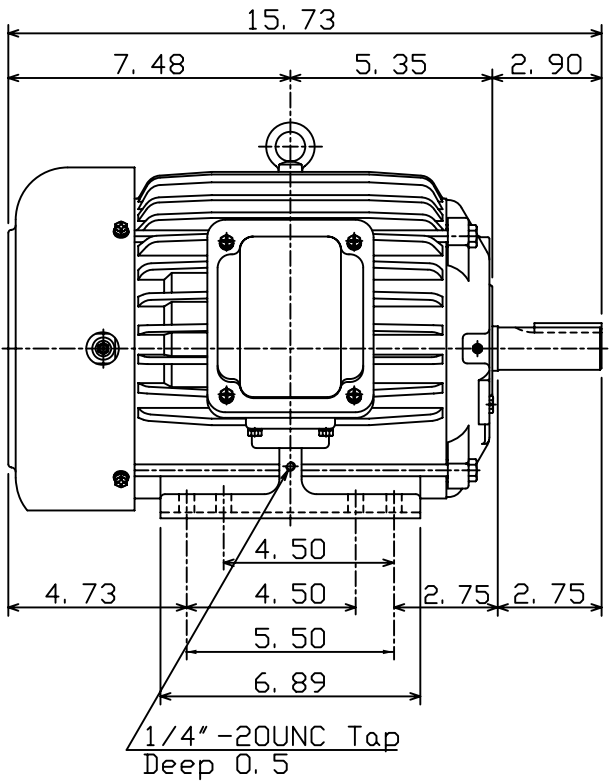
OUTLINE DIMENSIONS  
3-PHASE INDUCTION MOTOR

MOTOR TYPE:  
AEHH8B  
FRAME NO. 184T

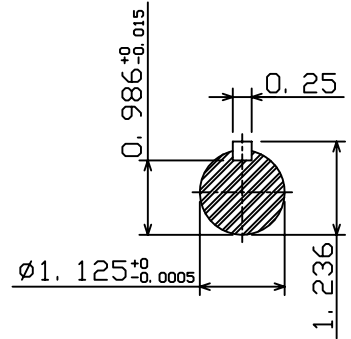
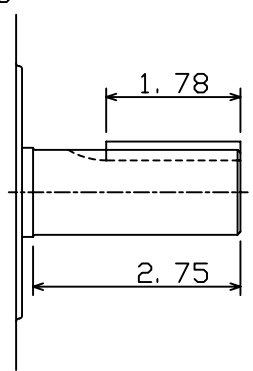
| Pole | HP | kW  | Hz | VOLT | Syn. Speed<br>r/min(rpm) |
|------|----|-----|----|------|--------------------------|
| 6    | 2  | 1.5 | 60 | 460  | 1200                     |

| Ins | Rating | Dimension in | Approx Weight | Bearings                     |
|-----|--------|--------------|---------------|------------------------------|
| F   | CONT.  | inches       | 96 lbs        | DE: 6306ZC35C NDE: 6306ZC35C |

Totally Enclosed Fan-Cooled Type, Squirrel-Cage Rotor.



8-Ø0.41 HOLES  
(184T&182T)



Note:  
1. Motor Vibration: 7.5µ.  
2. Both End With Inpro/Seal.

|       |            |          |
|-------|------------|----------|
| DWN.  | C. S. LO   | 12-22-04 |
| CHKD. | C. S. LO   | 12-27-04 |
| APPD. | M. C. TSAI | 12-27-04 |



DWG NO.  
31049U593010