

DATE  
Sept. 13, 2005  
CAT. #: HB0026-50

# OUTLINE DIMENSIONS

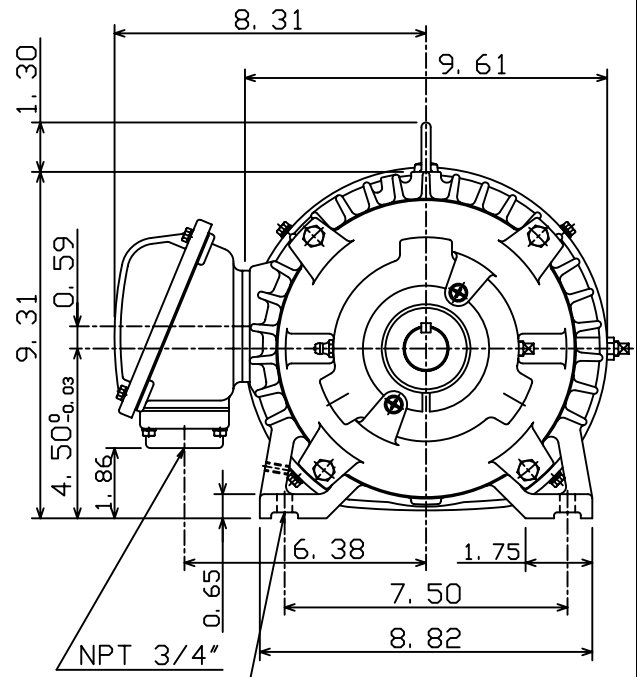
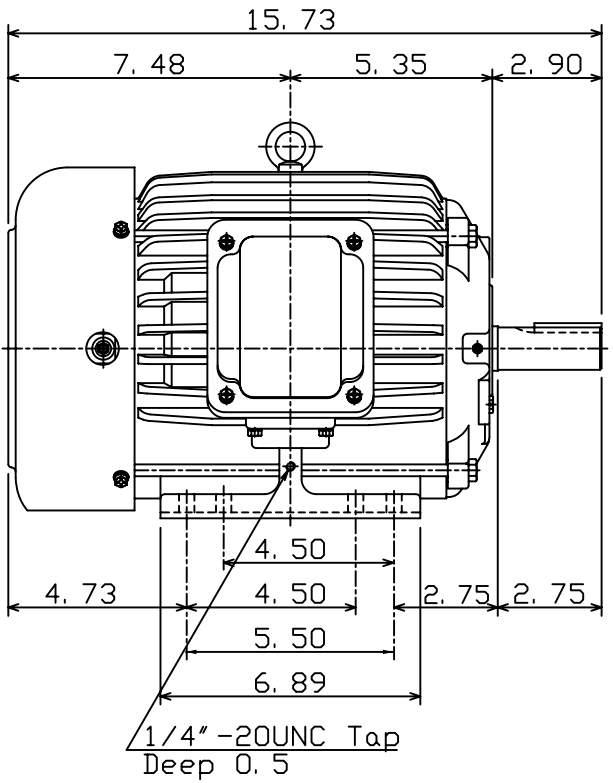
## 3-PHASE INDUCTION MOTOR

MOTOR TYPE:  
AEHH8B  
FRAME NO. 184T

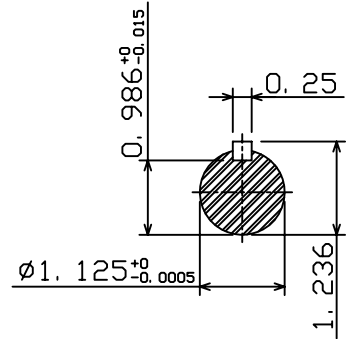
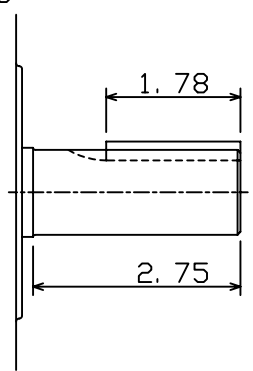
Pole	HP	kW	Hz	VOLT	Syn. Speed r/min(rpm)
6	2	1.5	50	380	1000

Ins	Rating	Dimension in	Approx Weight	Bearings
F	CONT.	inches	96 lbs	DE: 6306ZC35C NDE: 6306ZC35C

Totally Enclosed Fan-Cooled Type, Squirrel-Cage Rotor.



8-Ø0.41 HOLES  
(184T&182T)



Note:  
1. Motor Vibration: 7.5µ.  
2. Both End With Inpro/Seal.

DWN.	C. S. LO	12-22-04
CHKD.	C. S. LO	12-27-04
APPD.	M. C. TSAI	12-27-04



DWG NO.  
31049U593010