

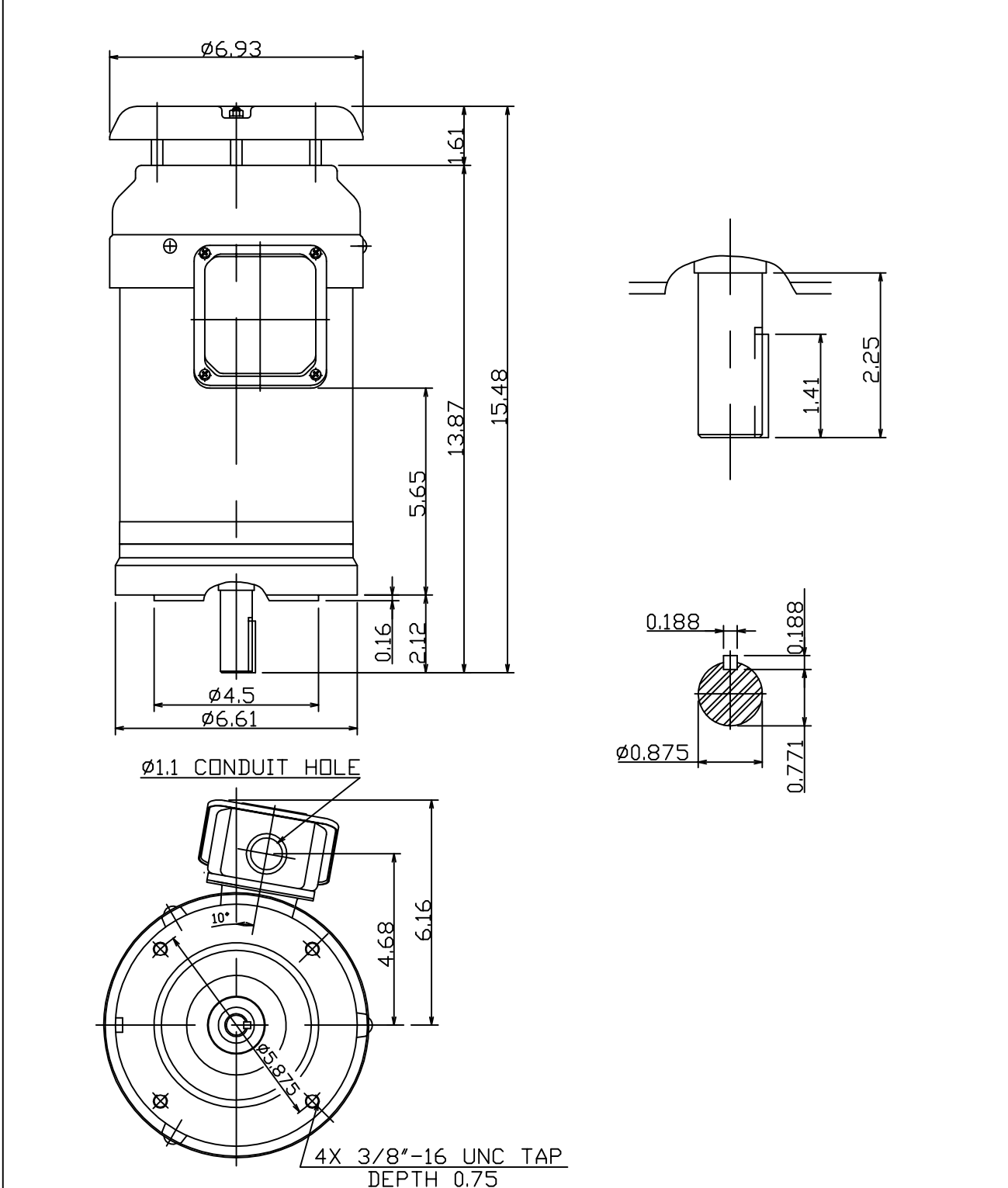
DATE
OCTOBER 29, 2009
CAT. #: GPV1/52C

OUTLINE DIMENSIONS
3-PHASE INDUCTION MOTOR

MOTOR TYPE:
AETHCF
FRAME NO. 143TC

Pole	HP	kW	Hz	VOLT	Syn.Speed r/min(rpm)
2	1.5	1.12	60	230/460	3600

Ins	Rating	Dimension in	Approx Weight	Bearings
F	CONT.	inch.	33 lbs.	DE: 6205ZZ NDE: 6204ZZ



09.24.09 防雨蓋尺寸變更 陳奕元

DWN, Y.Y.CHEN	09-22-09	TECO Westinghouse	DWG NO.
CHKD, C.Y.CHEN	09-24-09		31049Z107741
APPD, M.C.TSAI	09-24-09		