

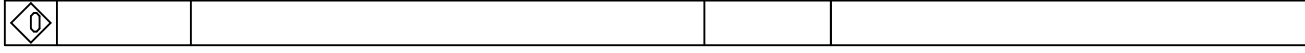
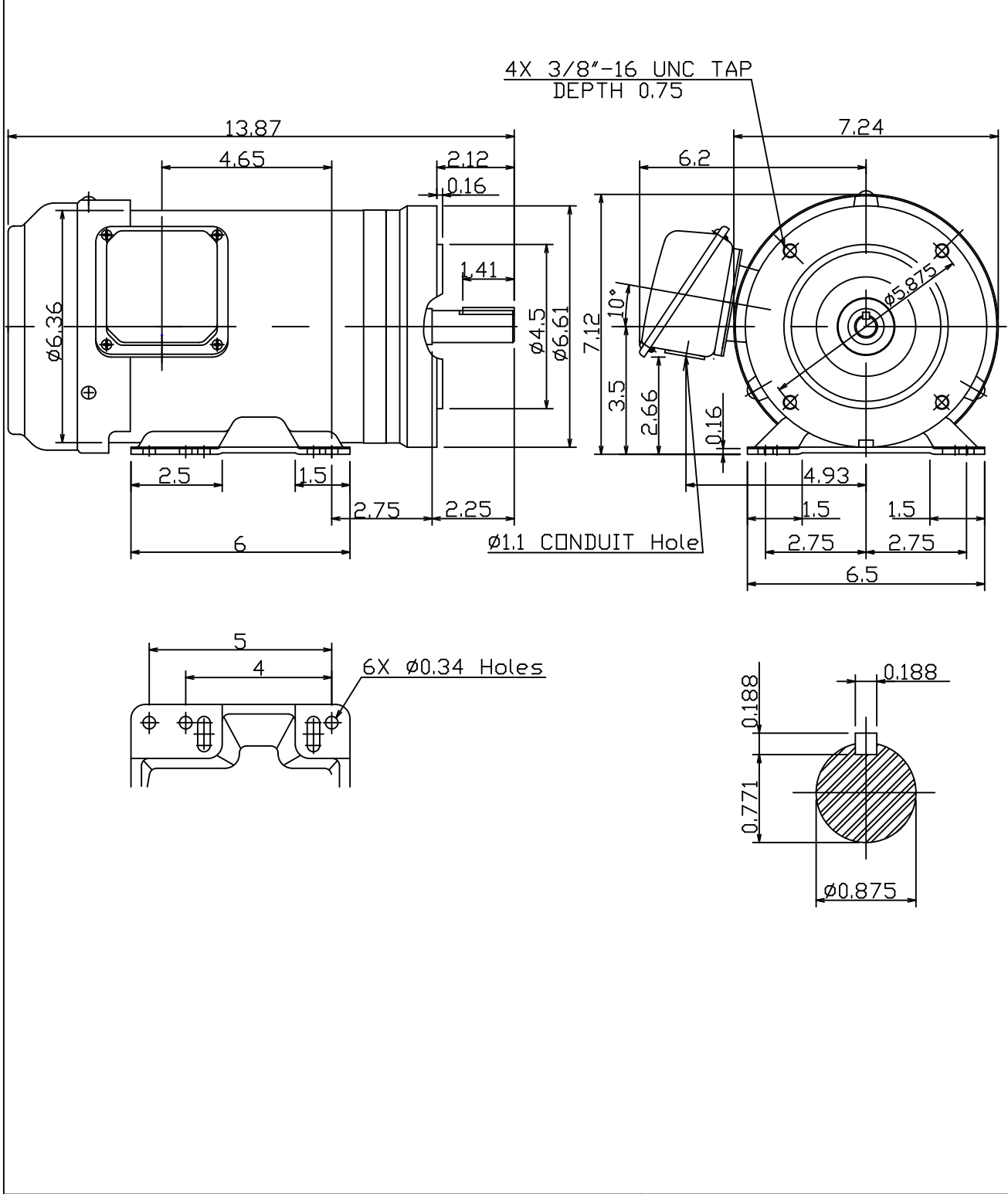
DATE  
OCTOBER 19, 2009  
CAT. #: GP1/54C

OUTLINE DIMENSIONS  
3-PHASE INDUCTION MOTOR

MOTOR TYPE:  
AEGHCF  
FRAME NO. 145TC

Pole	HP	kW	Hz	VOLT	Syn.Speed r/min(rpm)
4	1.5	1.12	60	230/460	1800

Ins	Rating	Dimension in	Approx Weight	Bearings
F	CONT.	inch.	29	DE: 6205ZZ NDE: 6204ZZ



DWN.	Y.Y.CHEN	09-22-09
CHKD.	C.Y.CHEN	09-23-09
APPD.	M.C.TSAI	09-23-09



DWG NO.  
31049Z107730