

DATE
OCTOBER 19, 2009
CAT. #: GP0102C

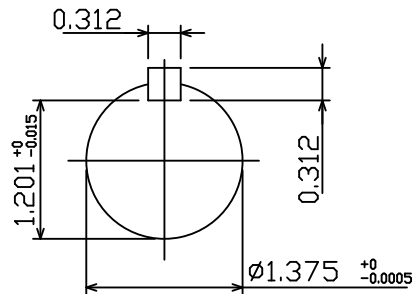
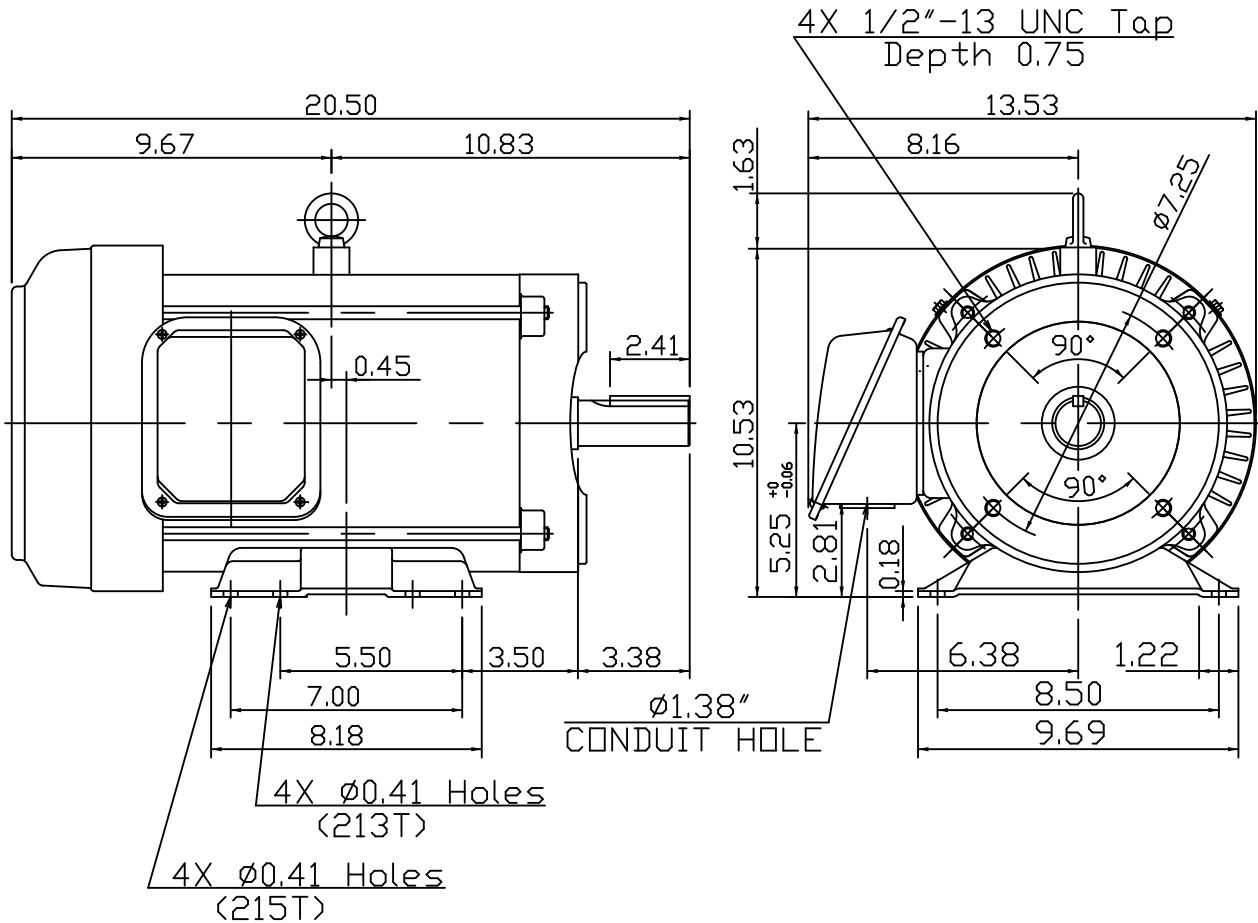
OUTLINE DIMENSIONS
3-PHASE INDUCTION MOTOR

MOTOR TYPE:
AEGHCF
FRAME NO. 215TC

Pole	HP	kW	Hz	VOLT	Syn.Speed r/min(rpm)
2	10	7.5	60	230/460	3600

Ins	Rating	Dimension in	Approx Weight	Bearings	
F	CONT.	inches	200 lbs	DE: 6208ZZ	NDE: 6206ZZ

Totally Enclosed Fan-Cooled Type, Squirrel-Cage Rotor.



DWN.	Y.S.LIN	10 05 09
CHKD.	J.H.LIANG	10 06 09
APPD.	M.C.TSAI	10 06 09

TECO Westinghouse

DWG NO.
31049R173020