

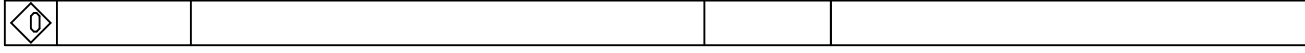
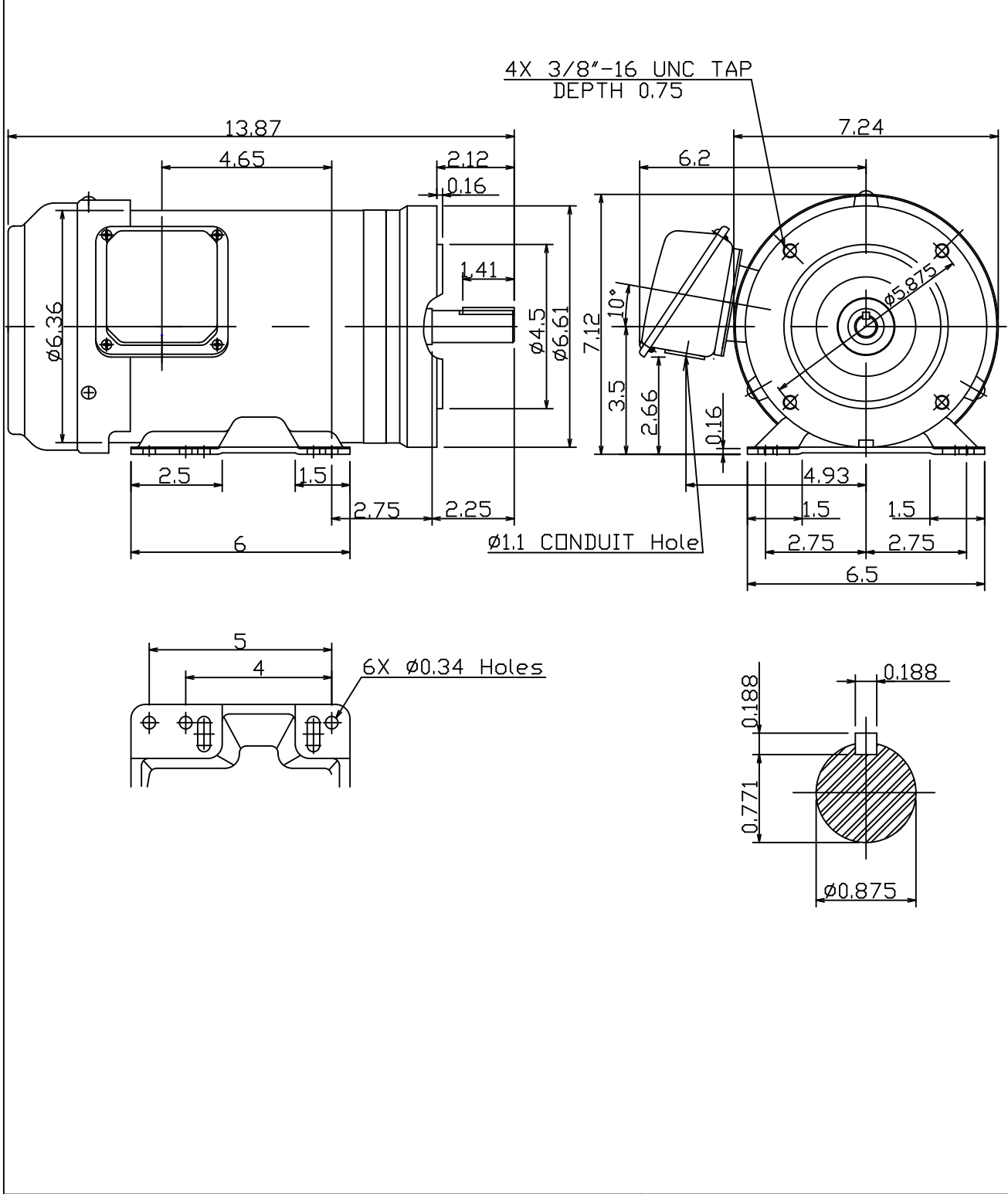
DATE  
OCTOBER 19, 2012  
CAT. #: GP0022C

OUTLINE DIMENSIONS  
3-PHASE INDUCTION MOTOR

MOTOR TYPE:  
AEGHCF  
FRAME NO. 145TC

Pole	HP	kW	Hz	VOLT	Syn.Speed r/min(rpm)
2	2	1.5	60	230/460	3600

Ins	Rating	Dimension in	Approx Weight	Bearings
F	CONT.	inch.	29	DE: 6205ZZ NDE: 6204ZZ



DWN, Y.Y.CHEN	09-22-09
CHKD, C.Y.CHEN	09-23-09
APPD, M.C.TSAI	09-23-09



DWG NO.  
31049Z107730