

DATE
JAN 19, 2012

CATALOG NO.
GHV0/52C

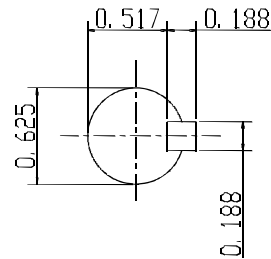
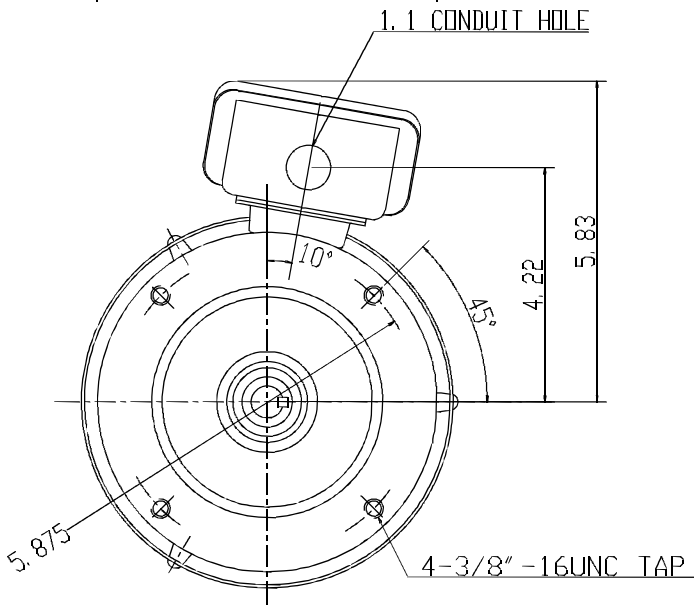
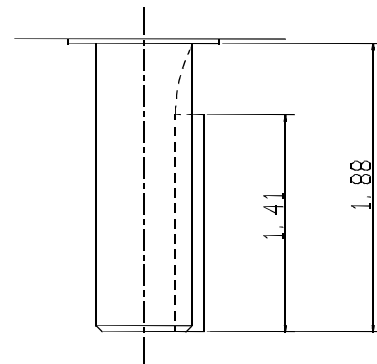
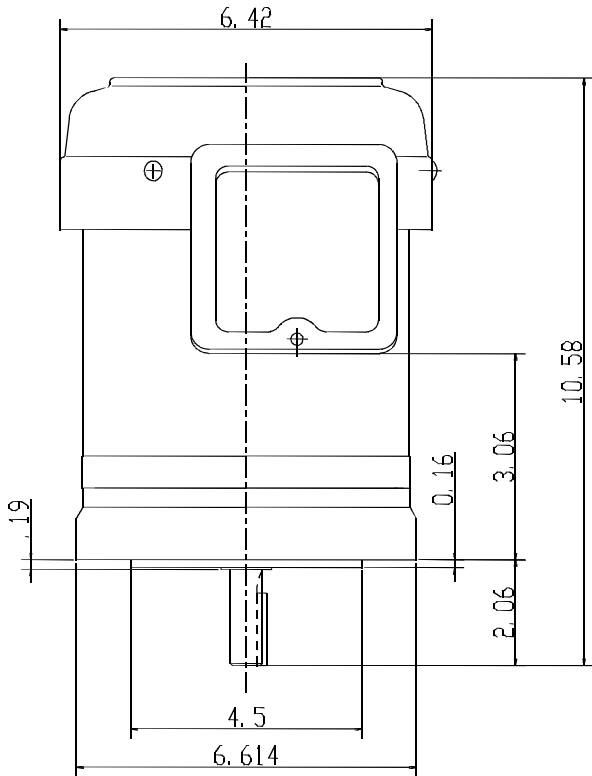
OUTLINE DIMENSIONS
3-PHASE INDUCTION MOTOR

MODEL TYPE:
AETHCF

FRAME NO. 56C

| Pole | HP | KW | Hz | VOLT | Syn. Speed R. P. M |
|------|-----|-----|----|---------|-----------------------|
| 2 | 1/2 | .37 | 60 | 230/460 | 3600 |

| Ins. | Rating | Dimensions in | Approx Weight | Bearings |
|------|--------|---------------|---------------|------------------------|
| F | CONT. | inch | 25 lbs. | DF: 6204ZZ NDE: 6203ZZ |



| | | | | | | | |
|--|--|--|--|--|--|--|--|
| | | | | | | | |
|--|--|--|--|--|--|--|--|

| | | |
|-------|------------|----------|
| APPD. | W. H. TSAI | 03 31 03 |
| CHKD. | J. B. CHEN | 03 31 03 |
| DWG. | P. CHEN | 03 01 03 |



DWG NO.
31049Z105
0724