

DATE
JAN. 4, 2007
CAT. #: EPV7/54C-50

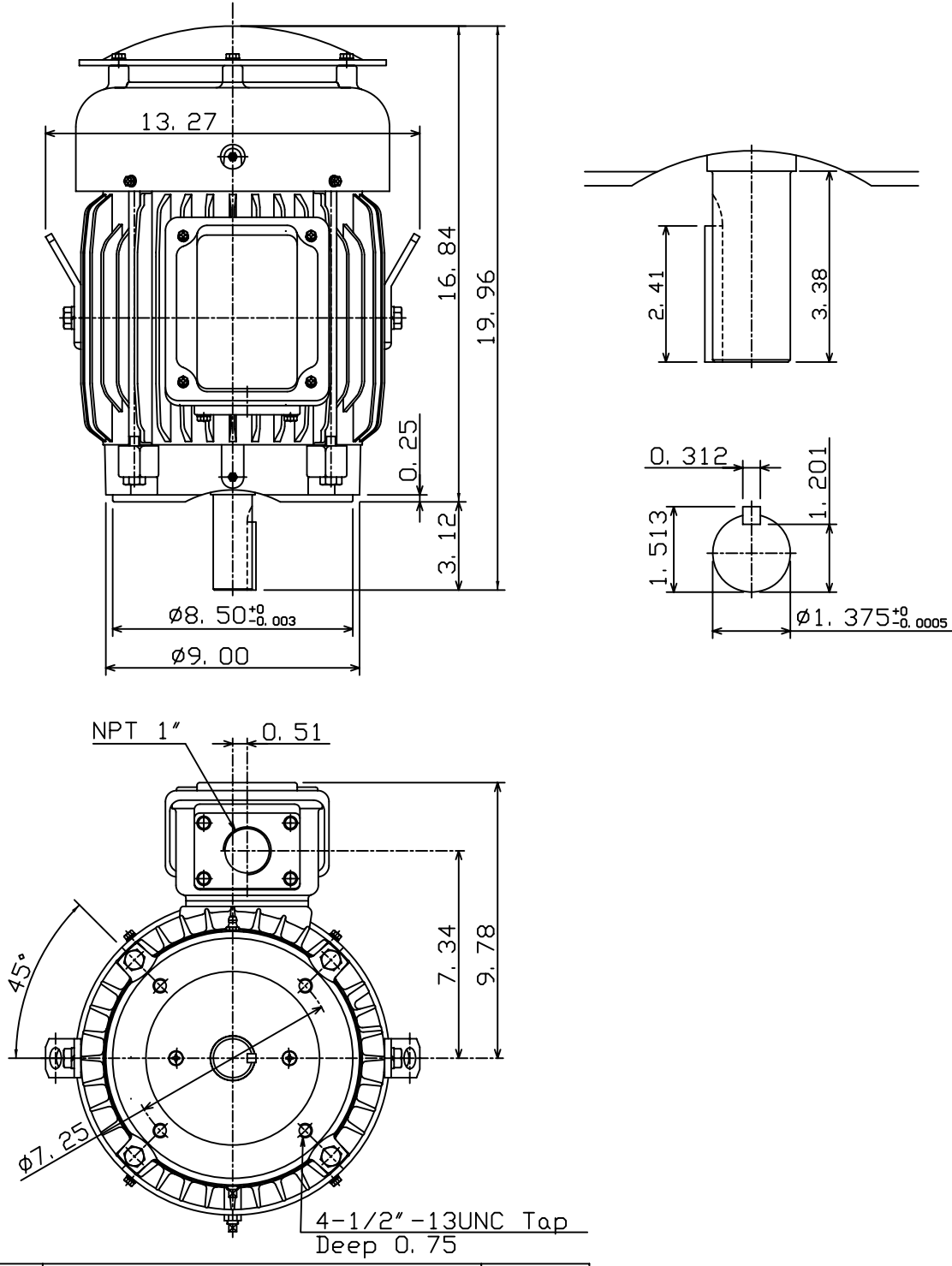
OUTLINE DIMENSIONS
3-PHASE INDUCTION MOTOR

MOTOR TYPE:
AEUH8NDC
FRAME NO. 213TC

| Pole | HP | kW | Hz | VOLT | Syn. Speed r/min(rpm) |
|------|-----|-----|----|---------|--------------------------|
| 4 | 7.5 | 5.6 | 50 | 190/380 | 1500 |

| Ins | Rating | Dimension in | Approx Weight | Bearings | |
|-----|--------|--------------|---------------|------------|-------------|
| F | CONT. | inches | 180 LBS | DE: 6308ZZ | NDE: 6306ZZ |

Totally Enclosed Fan-Cooled Vertical Type. Squirrel-Cage Rotor.



| | | |
|------------|--|--|
| \diamond | | |
|------------|--|--|

| | | |
|-------|-------------|----------|
| DWN. | J. H. LIANG | 12-25-06 |
| CHKD. | H. C. YAN | 12-28-06 |
| APPD. | M. C. TSAI | 12-28-06 |



DWG NO.
31049M986180