

DATE
JAN. 4, 2007
CAT. #: EPV1/56C-50

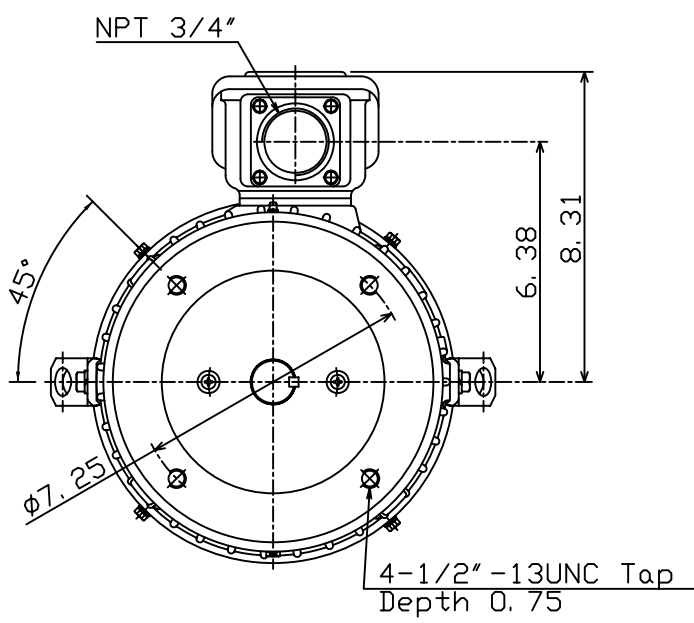
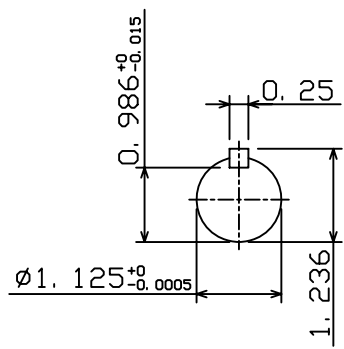
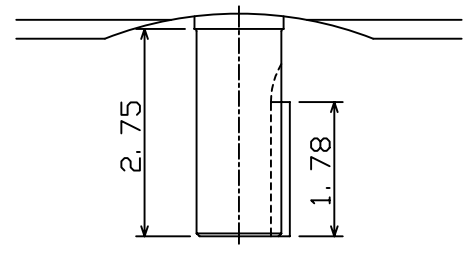
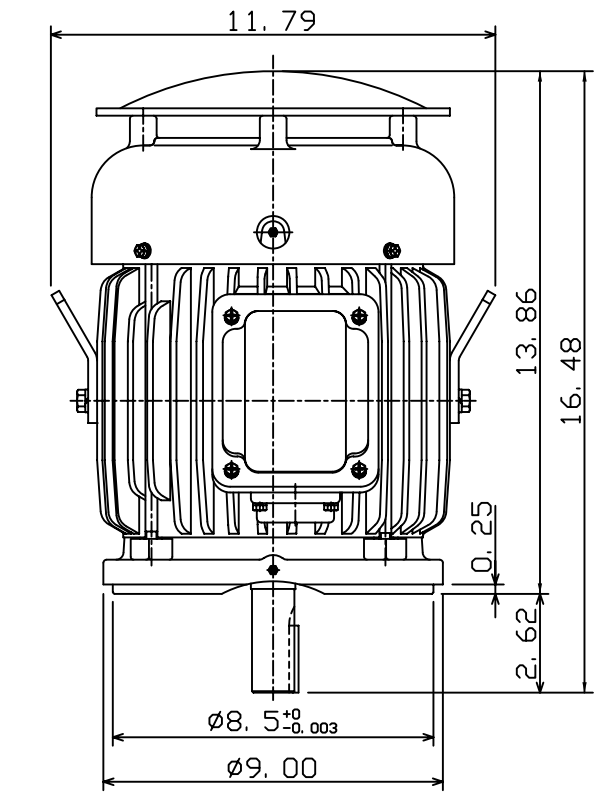
OUTLINE DIMENSIONS
3-PHASE INDUCTION MOTOR

MOTOR TYPE:
AEUH8NDC
FRAME NO. 182TC

Pole	HP	kW	Hz	VOLT	Syn. Speed r/min(rpm)
6	1.5	1.7	50	190/380	1000

Ins	Rating	Dimension in	Approx Weight	Bearings	
F	CONT.	inches	105 LBS	DE: 6306ZZ	NDE: 6306ZZ

Totally Enclosed Fan-Cooled Vertical Type. Squirrel-Cage Rotor.



◇		
---	--	--

DWN.	J. H. LIANG	12-25-06
CHKD.	H. C. YAN	12-28-06
APPD.	M. C. TSAI	12-28-06



DWG NO.
31049M988090