

DATE
JAN. 4, 2007
CAT. #: EPV1/52C

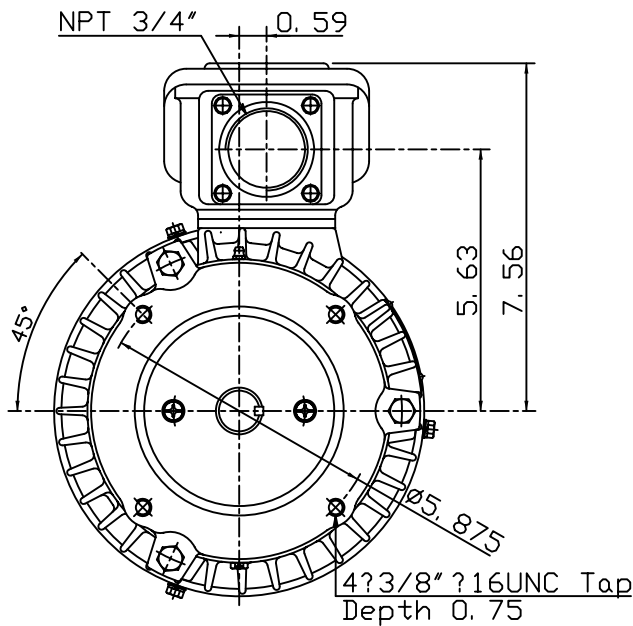
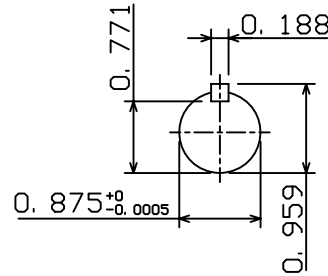
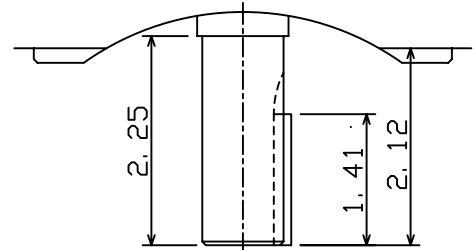
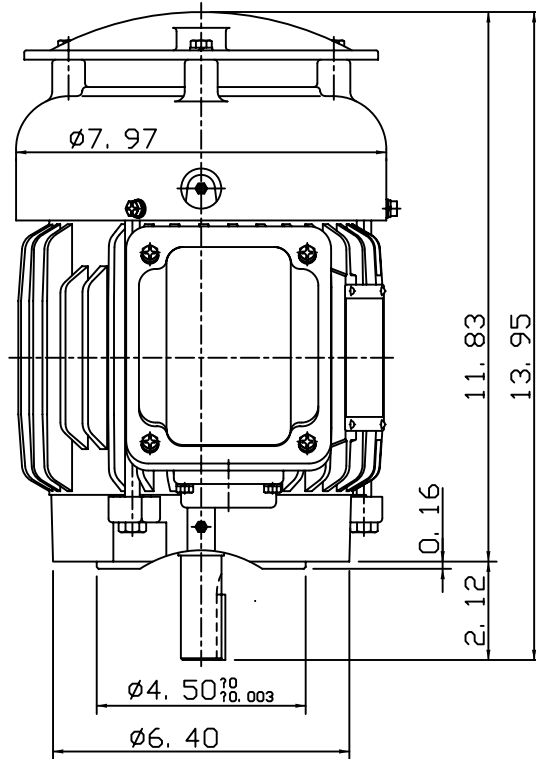
OUTLINE DIMENSIONS
3-PHASE INDUCTION MOTOR

MOTOR TYPE:
AEUH8NDC
FRAME NO. 143TC

| Pole | HP | kW | Hz | VOLT | Syn. Speed r/min(rpm) |
|------|-----|-----|----|---------|--------------------------|
| 2 | 1.5 | 1.1 | 60 | 230/460 | 3600 |

| Ins | Rating | Dimension in | Approx Weight | Bearings |
|-----|--------|--------------|---------------|------------------------|
| F | CONT. | inches | 60 LBS | DE: 6205ZZ NDE: 6205ZZ |

Totally Enclosed Fan-Cooled Vertical Type. Squirrel-Cage Rotor.



| | | |
|-------|-------------|----------|
| DWN. | J. H. LIANG | 12-23-06 |
| CHKD. | H. C. YAN | 12-28-06 |
| APPD. | M. C. TSAI | 12-28-06 |



DWG NO.
31049M989070