

DATE  
JAN. 4, 2007  
CAT. #: EPV1004C

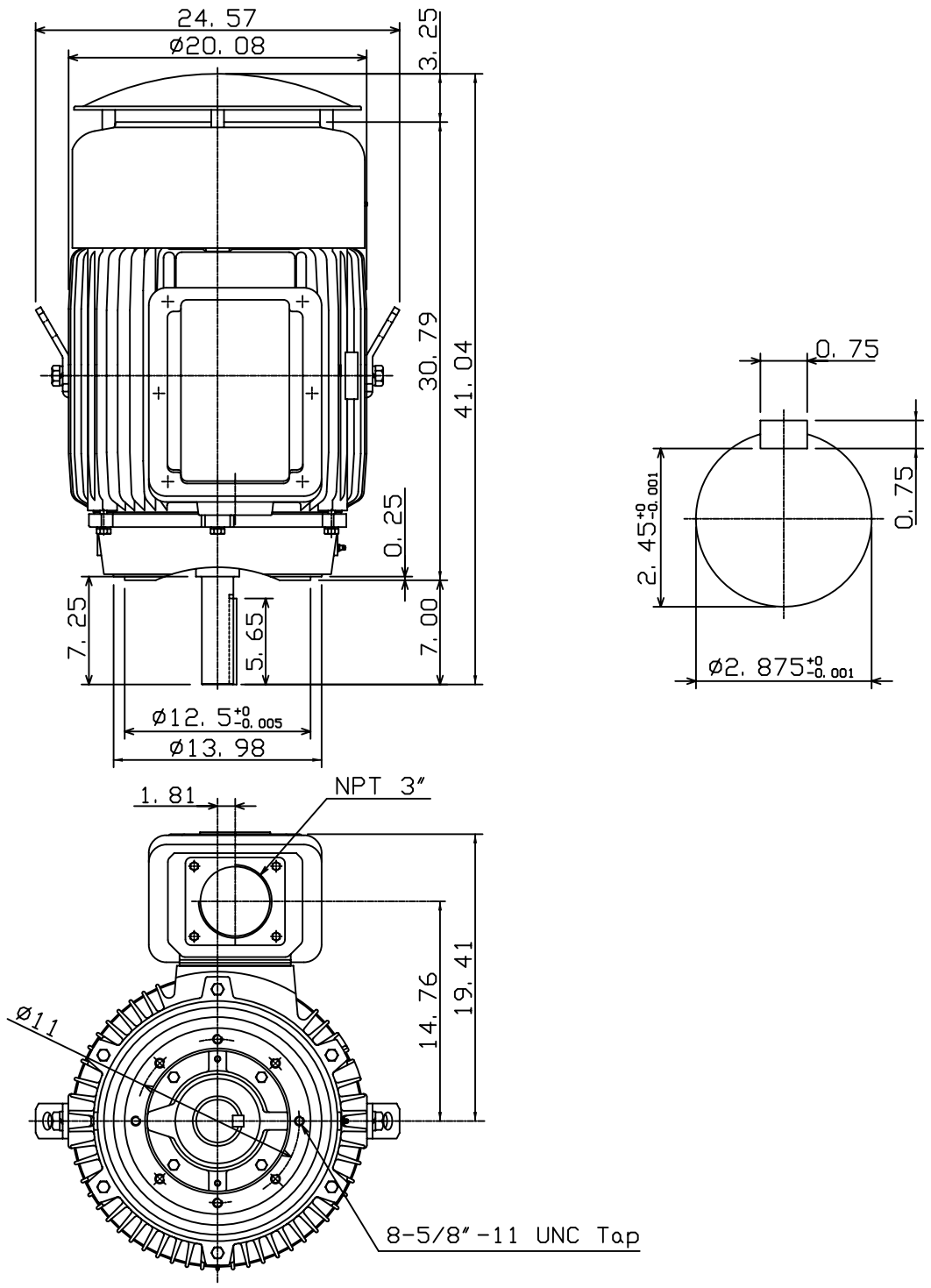
OUTLINE DIMENSIONS  
3-PHASE INDUCTION MOTOR

MOTOR TYPE:  
AEUH8NDC  
FRAME NO. 405TC

Pole	HP	kW	Hz	VOLT	Syn. Speed r/min(rpm)
4	100	75	60	230/460	1800

Ins	Rating	Dimension in	Approx Weight	Bearings	
F	CONT.	inches	1315 LBS	DE: 6317	NDE: 6313

Totally Enclosed Fan Cooled Vertical Type. Squirrel-cage Rotor.



$\diamond$		
------------	--	--

DWN.	K. L. KUO	01-02-07
CHKD.	K. L. KUO	01-02-07
APPD.	M. C. TSAI	01-02-07



DWG NO.  
31049M243360