

DATE
JAN. 4, 2007
CAT. #: EPV1002C-50

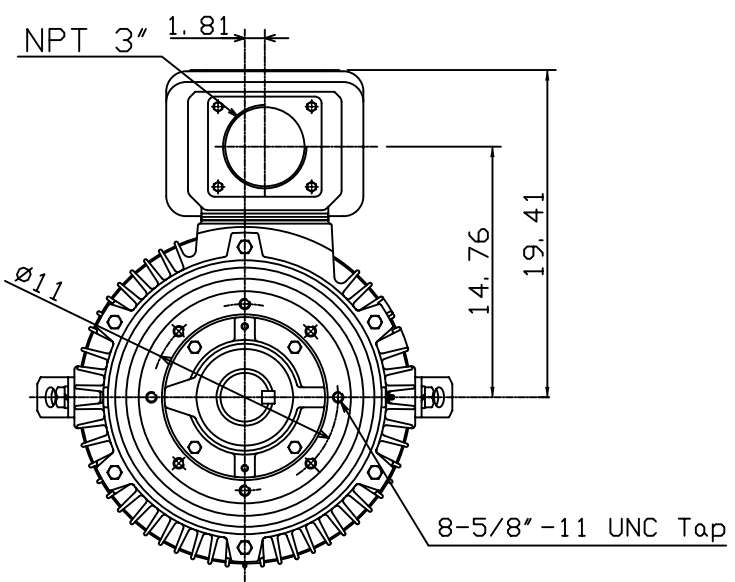
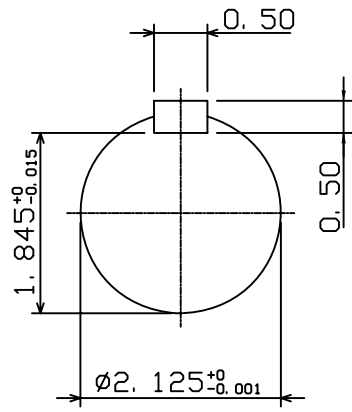
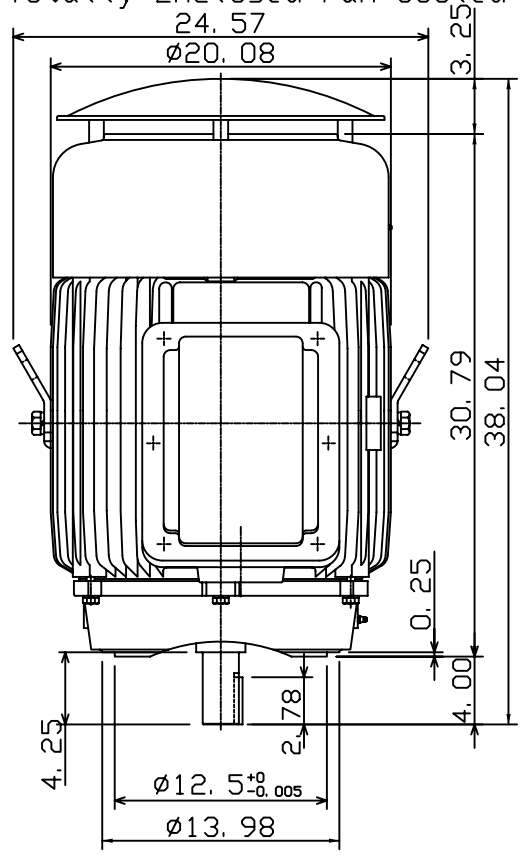
OUTLINE DIMENSIONS
3-PHASE INDUCTION MOTOR

MOTOR TYPE:
AEUH8NDC
FRAME NO. 405TSC

Pole	HP	kW	Hz	VOLT	Syn. Speed r/min(rpm)
2	100	75	50	190/380	3000

Ins	Rating	Dimension in	Approx Weight	Bearings
F	CONT.	inches	1188 LBS	DE: 6313C3 NDE: 6313C3

Totally Enclosed Fan-Cooled Vertical Type. Squirrel-cage Rotor.



◇		
---	--	--

DWN.	K. L. KUO	01-02-07
CHKD.	K. L. KUO	01-02-07
APPD.	M. C. TSAI	01-02-07



DWG NO.
31049M243350