

DATE
JAN. 4, 2007
CAT. #: EPV0754C

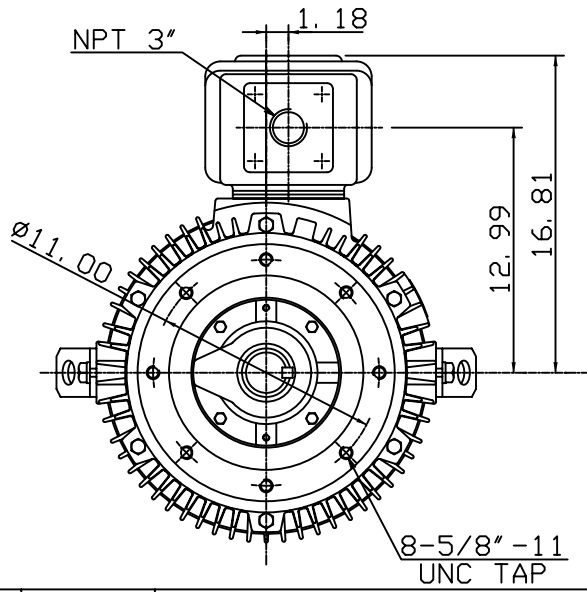
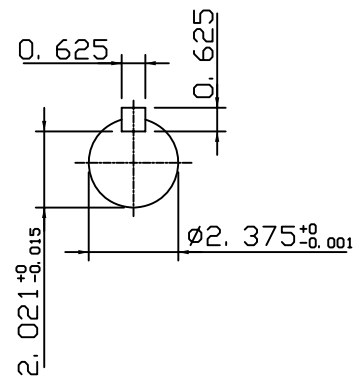
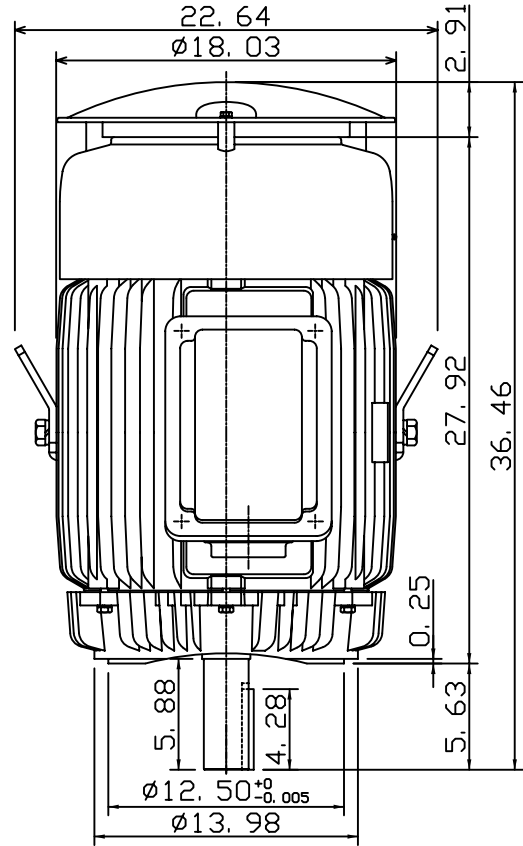
OUTLINE DIMENSIONS
3-PHASE INDUCTION MOTOR

MOTOR TYPE:
AEUH8NDC
FRAME NO. 365TC

Pole	HP	kW	Hz	VOLT	Syn. Speed r/min(rpm)
4	75	55	60	230/460	1800

Ins	Rating	Dimension in	Approx Weight	Bearings	
F	CONT.	inches	956 LBS	DE: 6313	NDE: 6213

Totally Enclosed Fan-Cooled Vertical Type. Squirrel-Cage Rotor.



\diamond		
------------	--	--

DWN.	K. L. KUO	01-02-07
CHKD.	K. L. KUO	01-02-07
APPD.	M. C. TSAI	01-02-07



DWG NO.
31057D383390