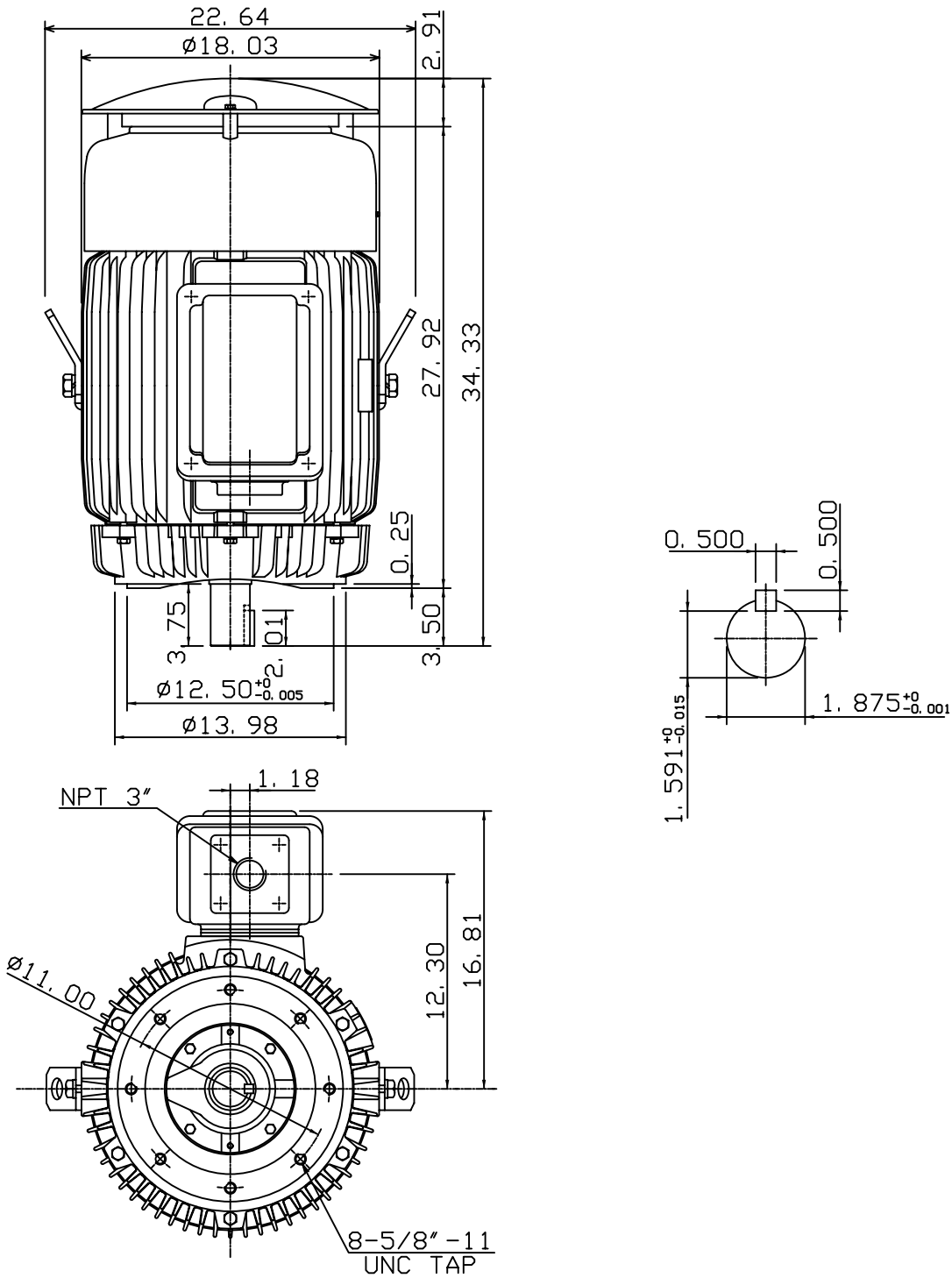


DATE JAN. 4, 2007	OUTLINE DIMENSIONS 3-PHASE INDUCTION MOTOR	MOTOR TYPE: AEUH8NDC
CAT. #: EPV0752C-50		FRAME NO. 365TSC

Pole	HP	kW	Hz	VOLT	Syn. Speed r/min(rpm)
2	75	55	50	190/380	3000

Ins	Rating	Dimension in	Approx Weight	Bearings
F	CONT.	inches	908 LBS	DE: 6312C3 NDE: 6212C3

Totally Enclosed Fan-Cooled Vertical Type. Squirrel-Cage Rotor.



\diamond		
------------	--	--

DWN. K. L. KUO 01-02-07		DWG NO.
CHKD. K. L. KUO 01-02-07		31057D383380
APPD. M. C. TSAI 01-02-07		