

DATE:  
Oct. 27, 2008  
CAT. #: EPV0606C-50

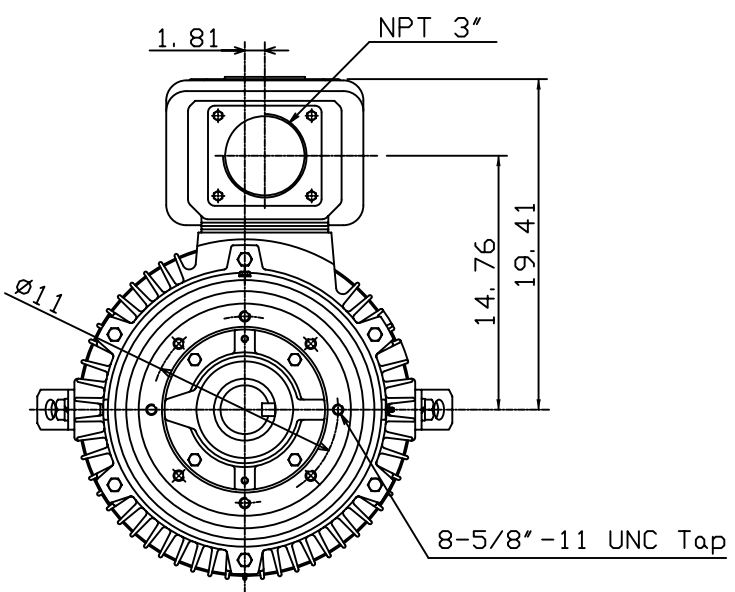
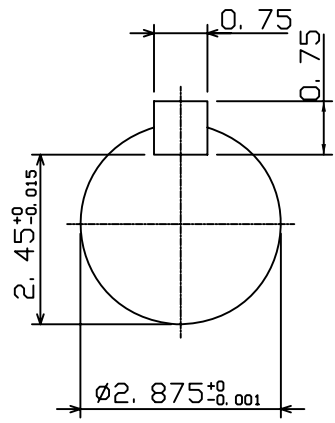
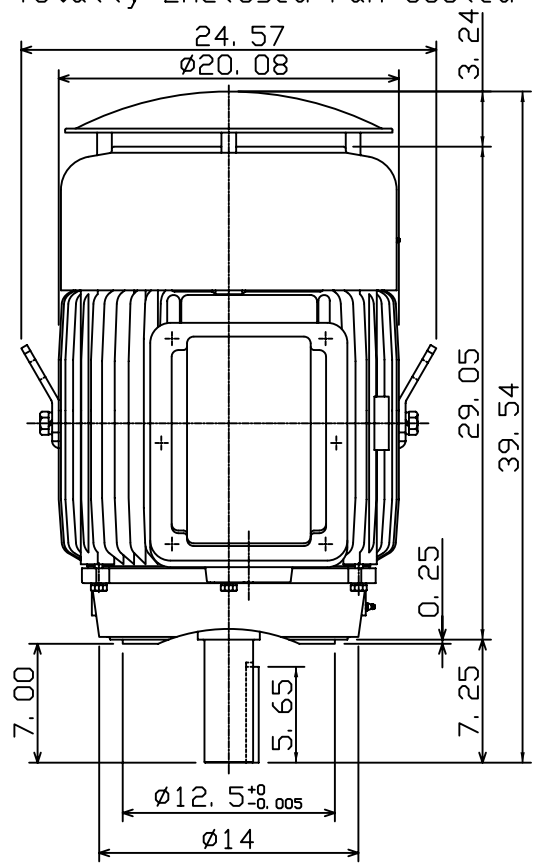
OUTLINE DIMENSIONS  
3-PHASE INDUCTION MOTOR

MOTOR TYPE:  
AEUH8NDC  
FRAME NO. 404TC

Pole	HP	kW	Hz	VOLT	Syn. Speed r/min(rpm)
6	60	45	50	190/380	1000

Ins	Rating	Dimension in	Approx Weight	Bearings	
F	CONT.	inches	1190 lbs	DE: 6317	NDE: 6313

Totally Enclosed Fan Cooled Vertical Type. Squirrel-cage Rotor.



◇		
---	--	--

DWN.	K. L. KUO	01-02-07
CHKD.	K. L. KUO	01-02-07
APPD.	M. C. TSAI	01-02-07



DWG NO.  
31049M242260