

DATE  
JAN. 4, 2007  
CAT. #: EPV0602C-50

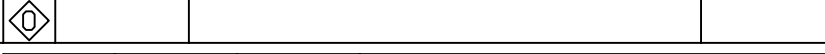
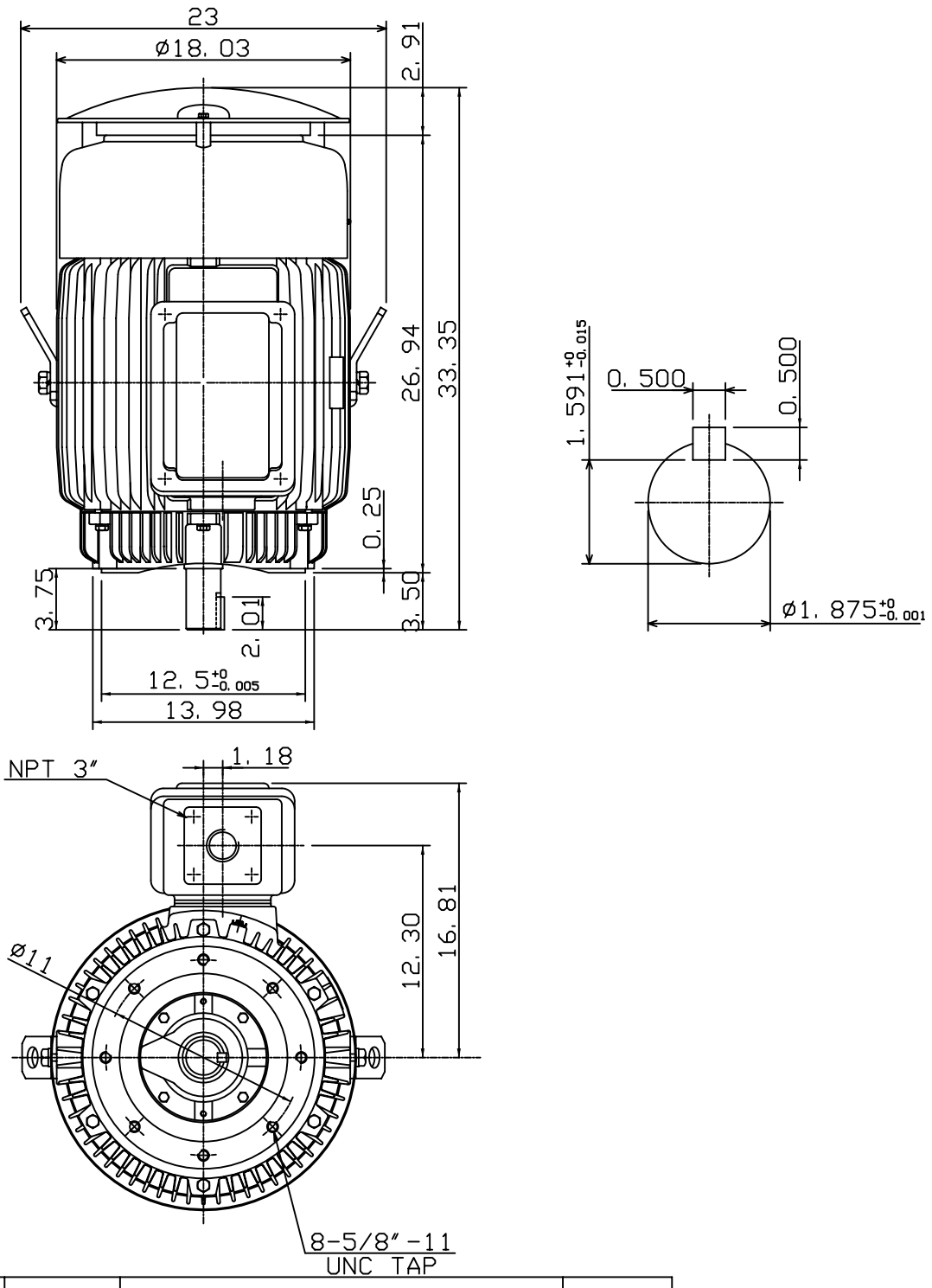
OUTLINE DIMENSIONS  
3-PHASE INDUCTION MOTOR

MOTOR TYPE:  
AEUH8NDC  
FRAME NO. 364TSC

Pole	HP	kW	Hz	VOLT	Syn. Speed r/min(rpm)
2	60	45	50	190/380	3000

Ins	Rating	Dimension in	Approx Weight	Bearings
F	CONT.	inches	844 LBS	DE: 6312C3 NDE: 6212C3

Totally Enclosed Fan-Cooled Type. Squirrel-Cage Rotor.



DWN.	K. L. KUO	01-02-07
CHKD.	K. L. KUO	01-02-07
APPD.	M. C. TSAI	01-02-07



DWG NO.  
31057H178560