

DATE  
JAN. 4, 2007  
CAT. #: EPV0252C

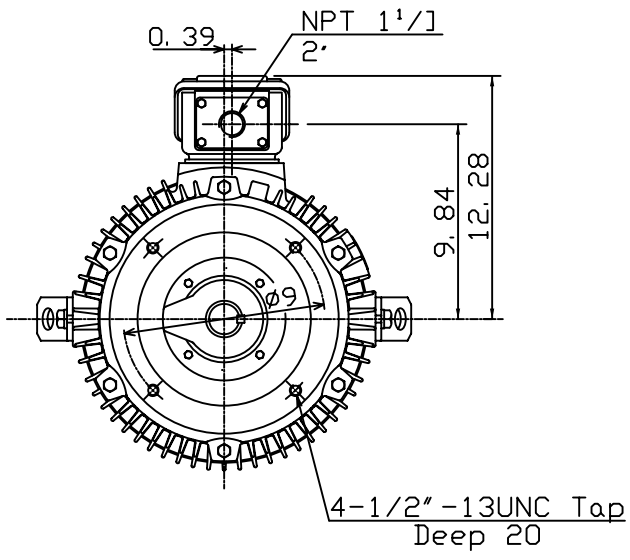
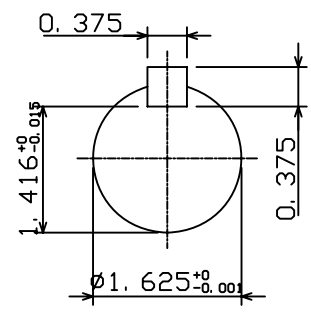
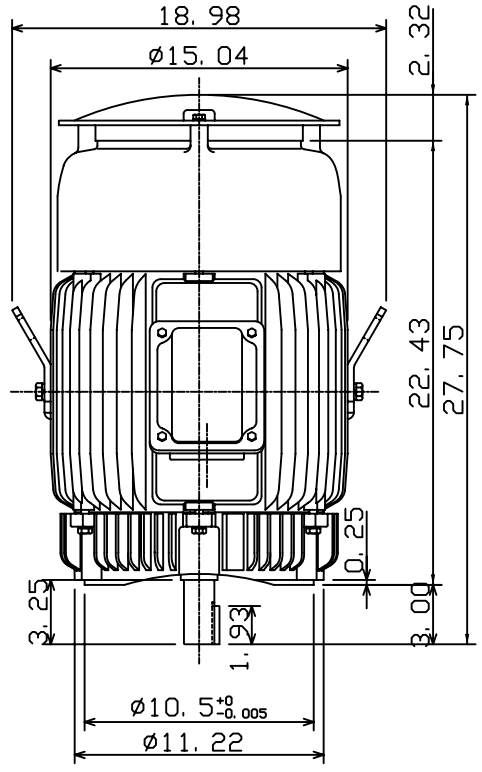
OUTLINE DIMENSIONS  
3-PHASE INDUCTION MOTOR

MOTOR TYPE:  
AEUH8NDC  
FRAME NO. 284TSC

Pole	HP	kW	Hz	VOLT	Syn. Speed r/min(rpm)
2	25	18.5	60	230/460	3600

Ins	Rating	Dimension in	Approx Weight	Bearings
F	CONT.	inches	435 LBS	DE: 6211C3 NDE: 6211C3

Totally Enclosed Fan-cooled Vertical Type, Squirrel-cage Rotor.



◇		
---	--	--

DWN.	K. L. KUO	01-02-07
CHKD.	K. L. KUO	01-02-07
APPD.	M. C. TSAI	01-02-07



DWG NO.  
31057H479240