

DATE  
JAN. 4, 2007  
CAT. #: EPV0156C

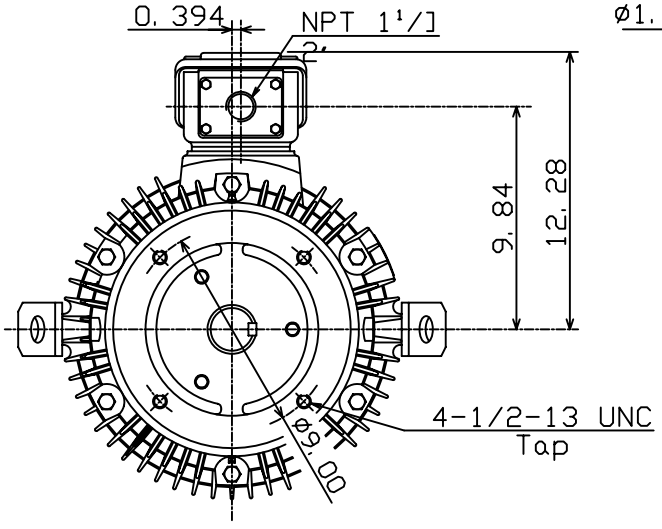
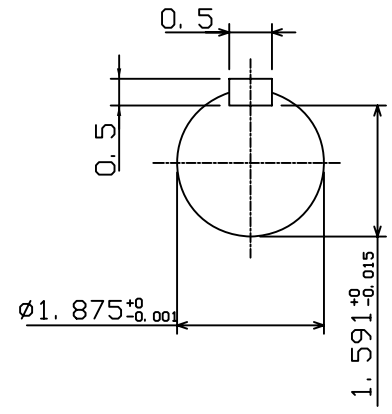
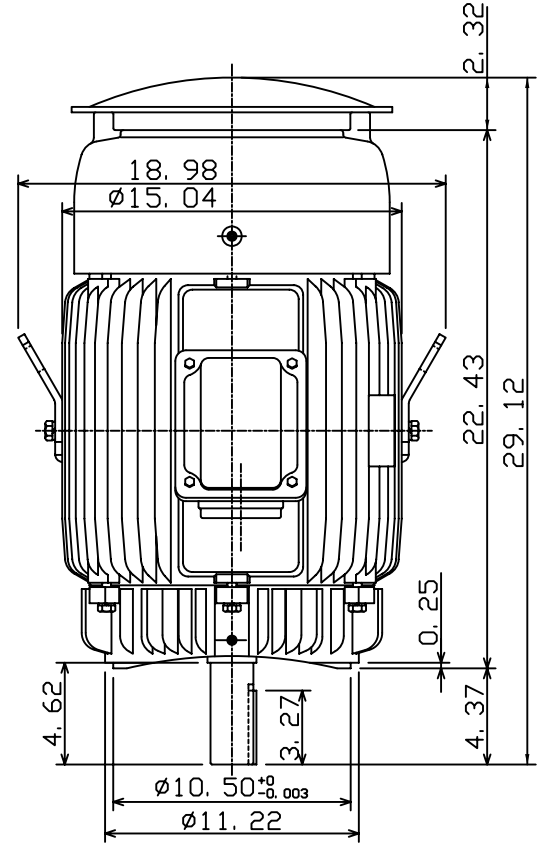
OUTLINE DIMENSIONS  
3-PHASE INDUCTION MOTOR

MOTOR TYPE:  
AEUH8NDC  
FRAME NO. 284TC

Pole	HP	kW	Hz	VOLT	Syn. Speed r/min(rpm)
6	15	11	60	230/460	1200

Ins	Rating	Dimension in	Approx Weight	Bearings
F	CONT.	inches	446 LBS	DE: 6311ZZ NDE: 6310ZZ

Totally Enclosed Fan-Cooled Vertical Type, Squirrel-cage Rotor.



◇		
---	--	--

DWN.	K. L. KUD	12-30-06
CHKD.	K. L. KUD	01-02-07
APPD.	M. C. TSAI	01-02-07



DWG NO.  
31057H479230