

DATE  
JAN. 4, 2007  
CAT. #: EPV0106C

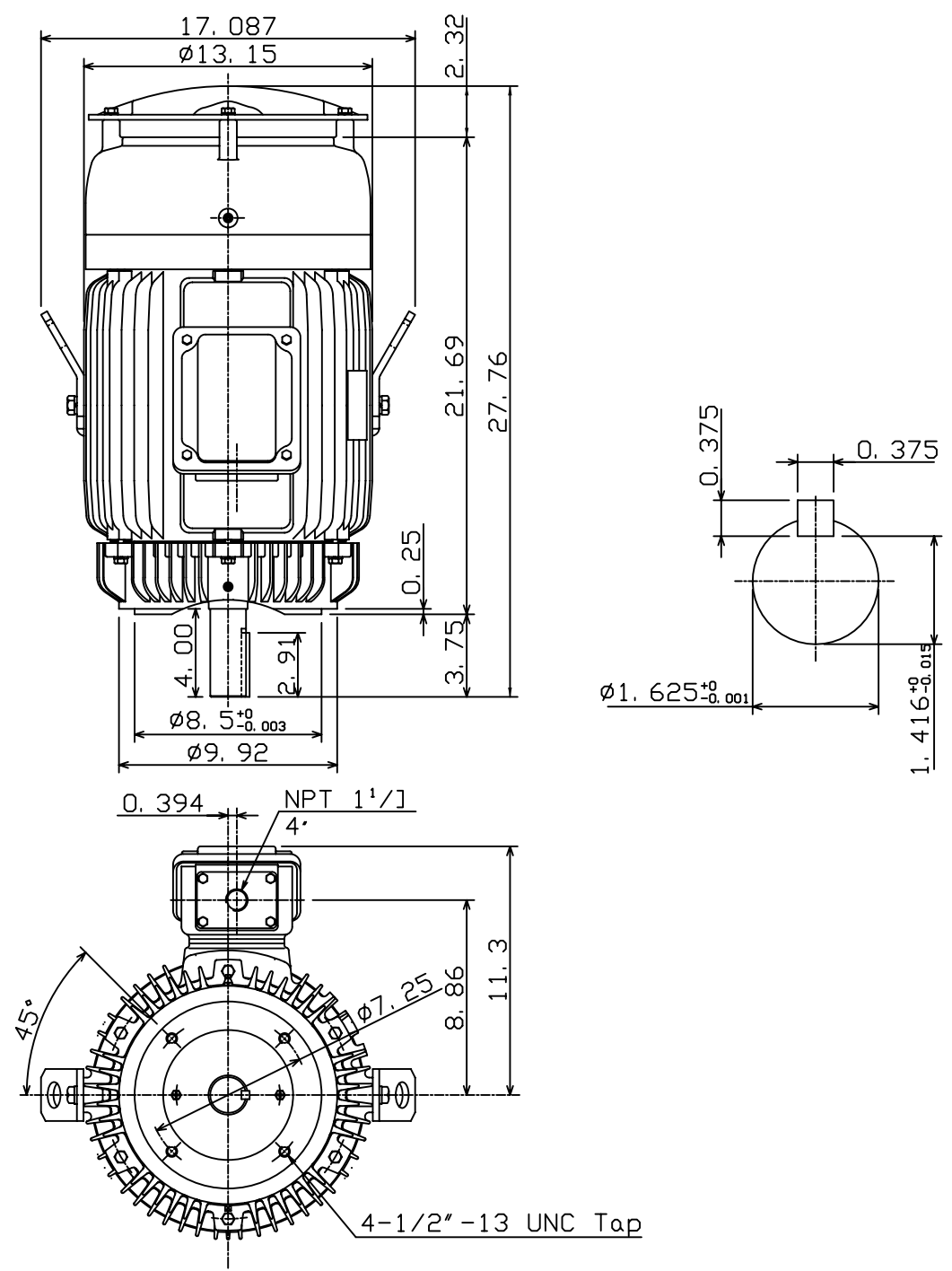
OUTLINE DIMENSIONS  
3-PHASE INDDUCTION MOTOR

MOTOR TYPE:  
AEUH8NDC  
FRAME NO. 256TC

| Pole | HP | kW  | Hz | VOLT    | Syn. Speed<br>r/min(rpm) |
|------|----|-----|----|---------|--------------------------|
| 6    | 10 | 7.5 | 60 | 230/460 | 1200                     |

| Ins | Rating | Dimension in | Approx Weight | Bearings               |
|-----|--------|--------------|---------------|------------------------|
| F   | CONT.  | inches       | 355 LBS       | DE: 6309ZZ NDE: 6307ZZ |

Totally Enclosed Fan-Cooled Vertical Type, Squirrel-Cage Rotor.



|            |  |  |
|------------|--|--|
| $\diamond$ |  |  |
|------------|--|--|

|       |            |          |
|-------|------------|----------|
| DWN.  | K. L. KUD  | 12-30-06 |
| CHKD. | K. L. KUD  | 01-02-07 |
| APPD. | M. C. TSAI | 01-02-07 |



DWG NO.  
31057H251490