

DATE  
JAN. 4, 2007  
CAT. #: EPV0034C

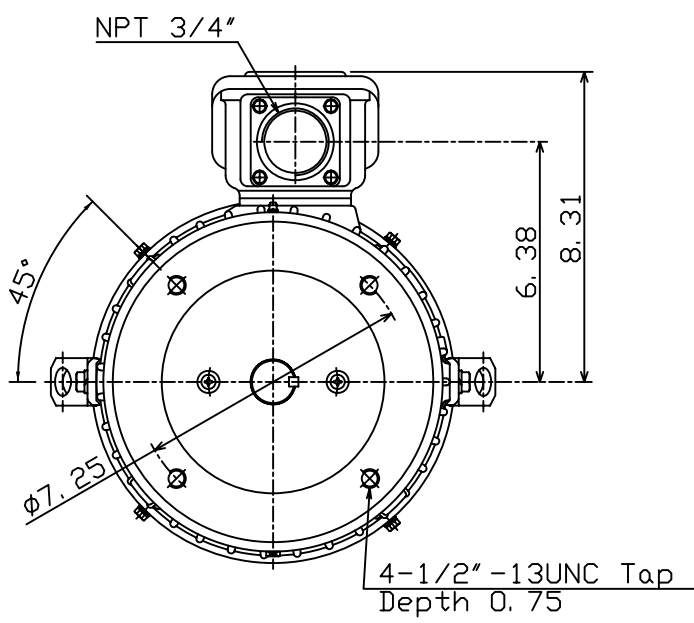
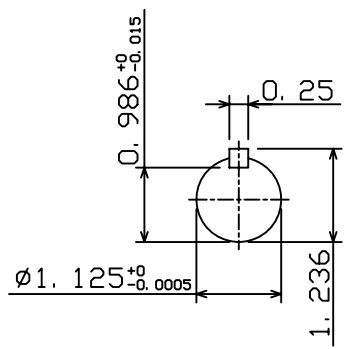
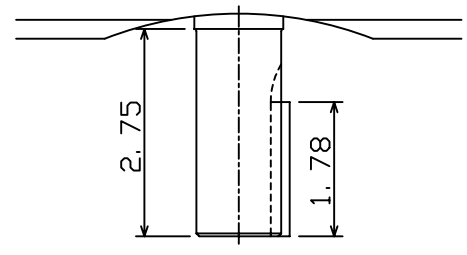
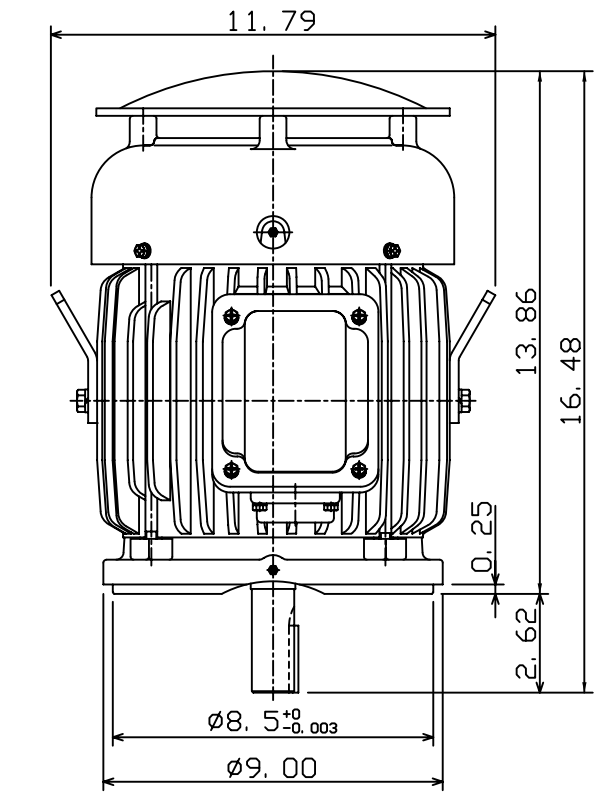
OUTLINE DIMENSIONS  
3-PHASE INDUCTION MOTOR

MOTOR TYPE:  
AEUH8NDC  
FRAME NO. 182TC

Pole	HP	kW	Hz	VOLT	Syn. Speed r/min(rpm)
4	3	2.23	60	230/460	1800

Ins	Rating	Dimension in	Approx Weight	Bearings	
F	CONT.	inches	105 LBS	DE: 6306ZZ	NDE: 6306ZZ

Totally Enclosed Fan-Cooled Vertical Type. Squirrel-Cage Rotor.



◇		
---	--	--

DWN.	J. H. LIANG	12-25-06
CHKD.	H. C. YAN	12-28-06
APPD.	M. C. TSAI	12-28-06



DWG NO.  
31049M988090