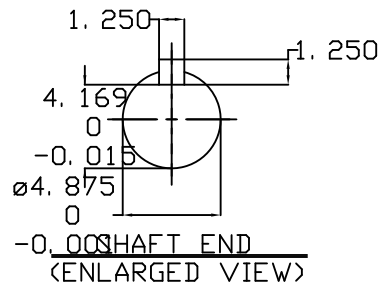
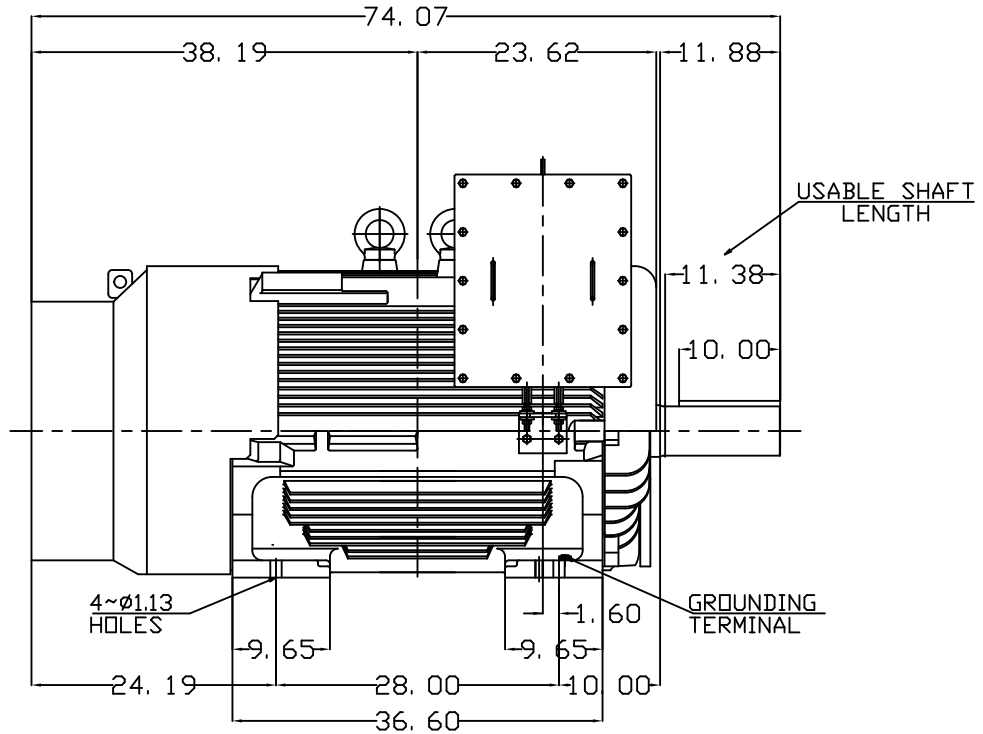
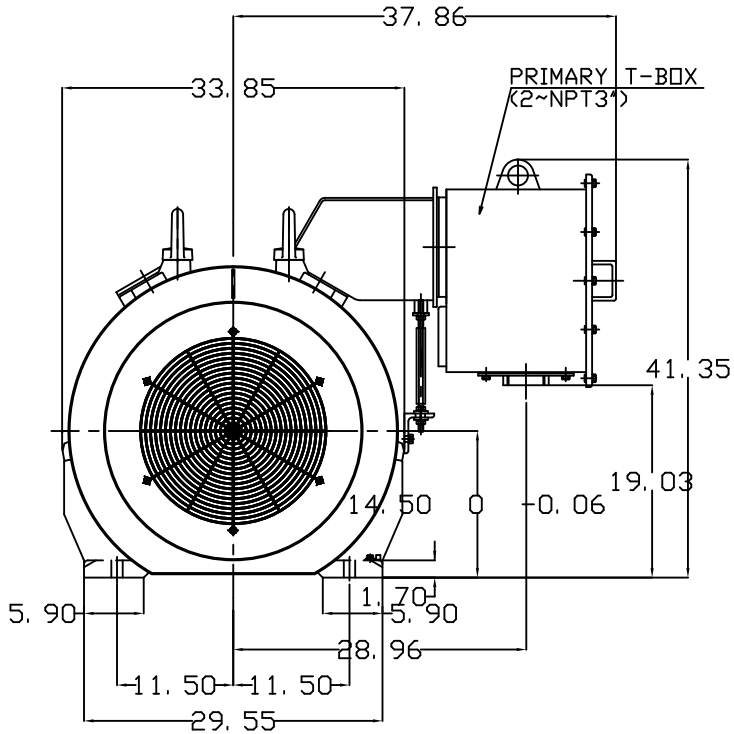


TYPE	OUTPUT		POLE	TIME RATING	VOLTAGE V	Hz	SYN.SPEED R.P.M
	HP.	KW.					
AEHH8N	500	373	6	CONT.	460	60	1200

TOTALLY ENCLOSED FAN-COOLED TYPE, SQUIRREL-CAGE ROTOR



- NOTE:
1. DIMENSIONS IN inch
  2. FRAME NO. 5808C
  3. F CLASS INSULATION, S.F.1.15
  4. FOR BELT DRIVE APPLICATIONS
  5. ENCLOSURE: IP55
  6. BEARING SIZE: DRIVE-END NU326  
OPP. DRIVE-END 6322
  7. MOTOR APPROX. WEIGHT: 5600 lb

DATE	OUTLINE DIMENSIONS	
CATALOG # EP5006R	3-PHASE INDUCTION MOTOR	
DWN. Y.DU MAR-22-2014	TECO Westinghouse	DWG NO. REV:00
CHKD. W.CHENG MAR-29-2014		4B040C032
APPD. C.SHIH MAR-29-2014		